

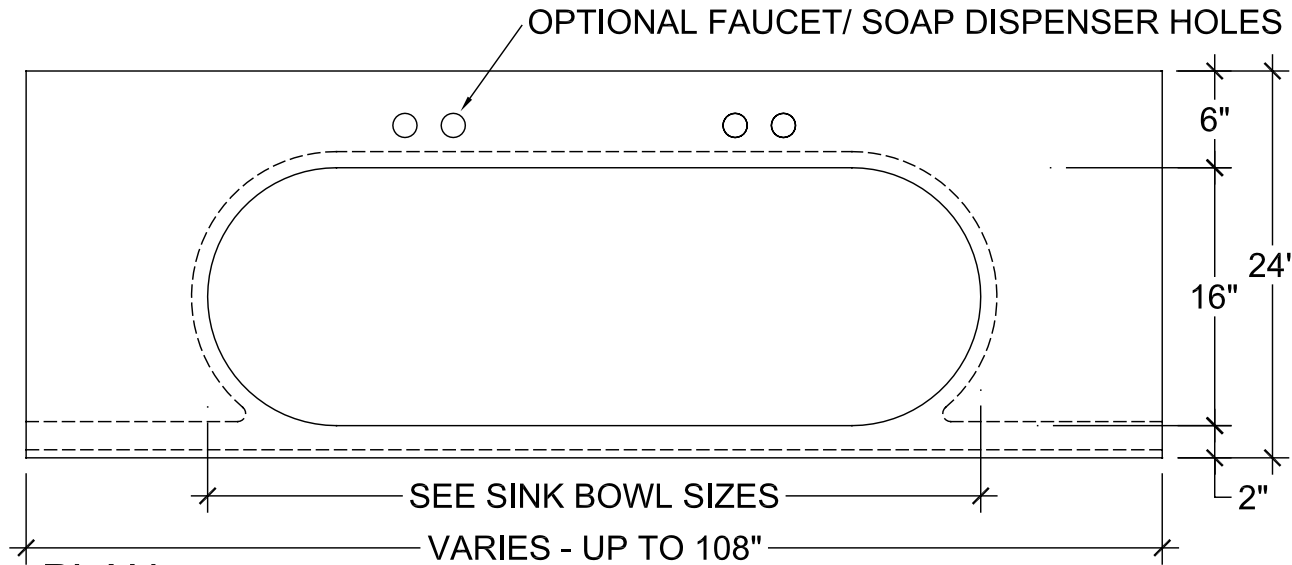


SONOMA CAST STONE / 877.283.2400

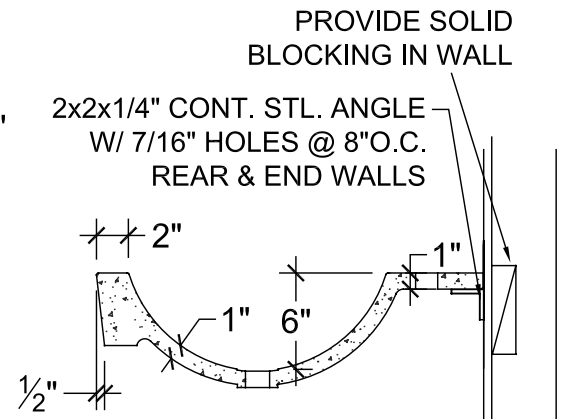
COMMERCIAL BATH PRODUCTS

Visit www.sonomastone.com to see photos.
Designs ©2009 Sonoma Cast Stone Corp. All rights reserved.

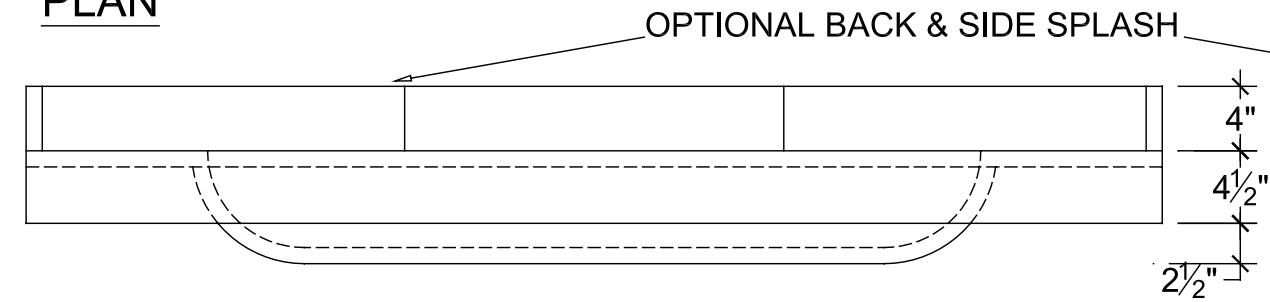
MODEL: TROUGH - COMMERCIAL - ADA



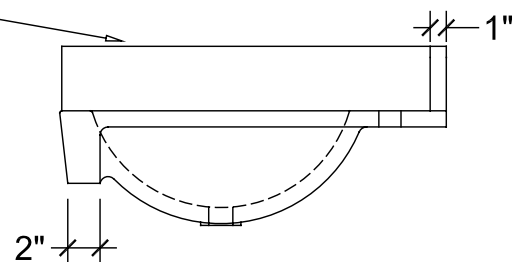
PLAN



SECTION @ DRAIN

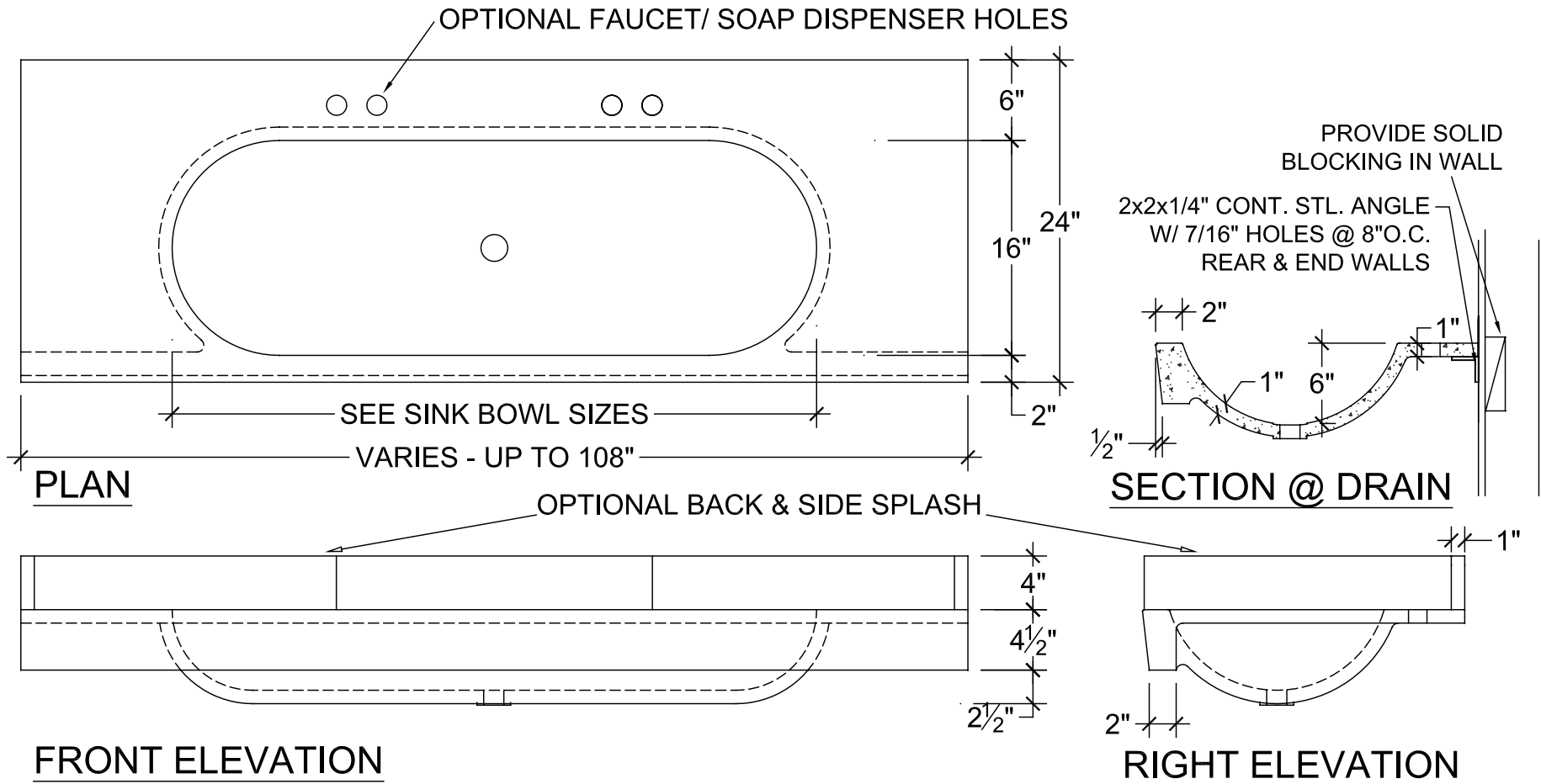


FRONT ELEVATION

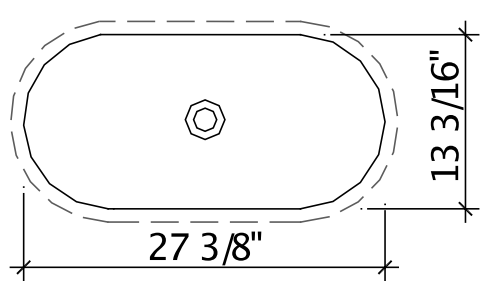


RIGHT ELEVATION

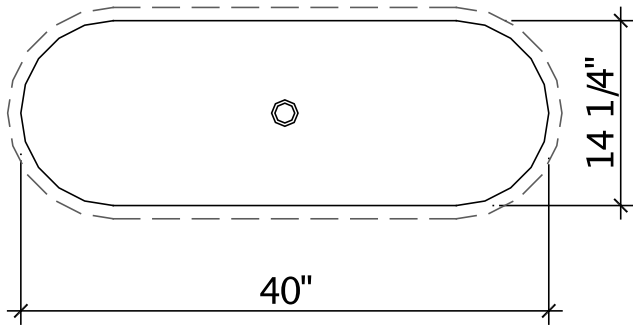
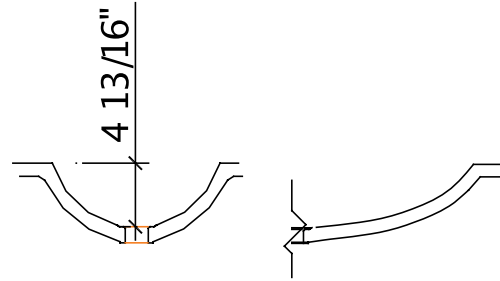
TROUGH - ADA



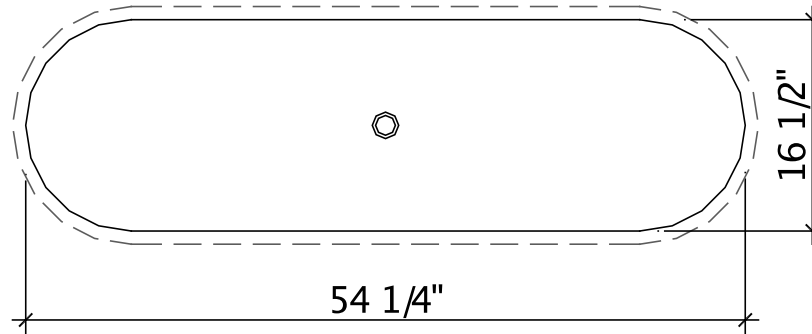
TROUGH - SIZES



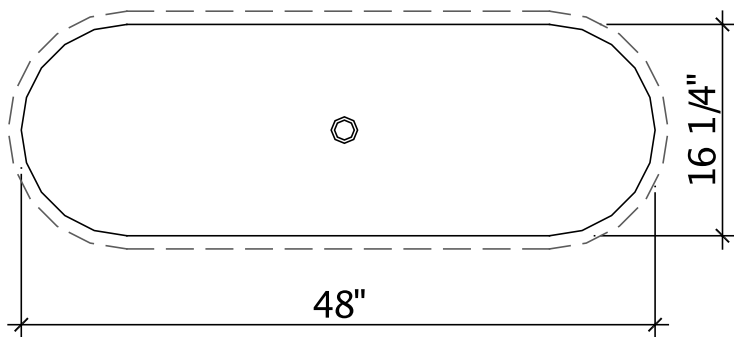
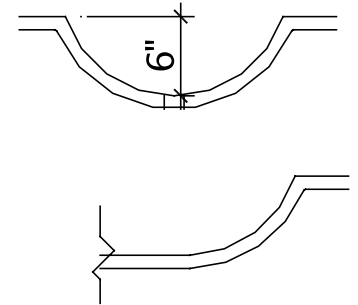
TS-1327 (1 FAUCET)



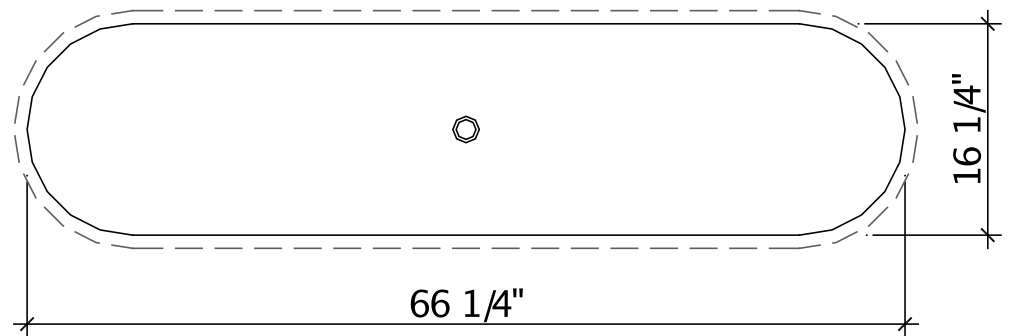
TS-1440 (1 OR 2 FAUCETS)



TS-1654 (1 OR 2 FAUCETS)

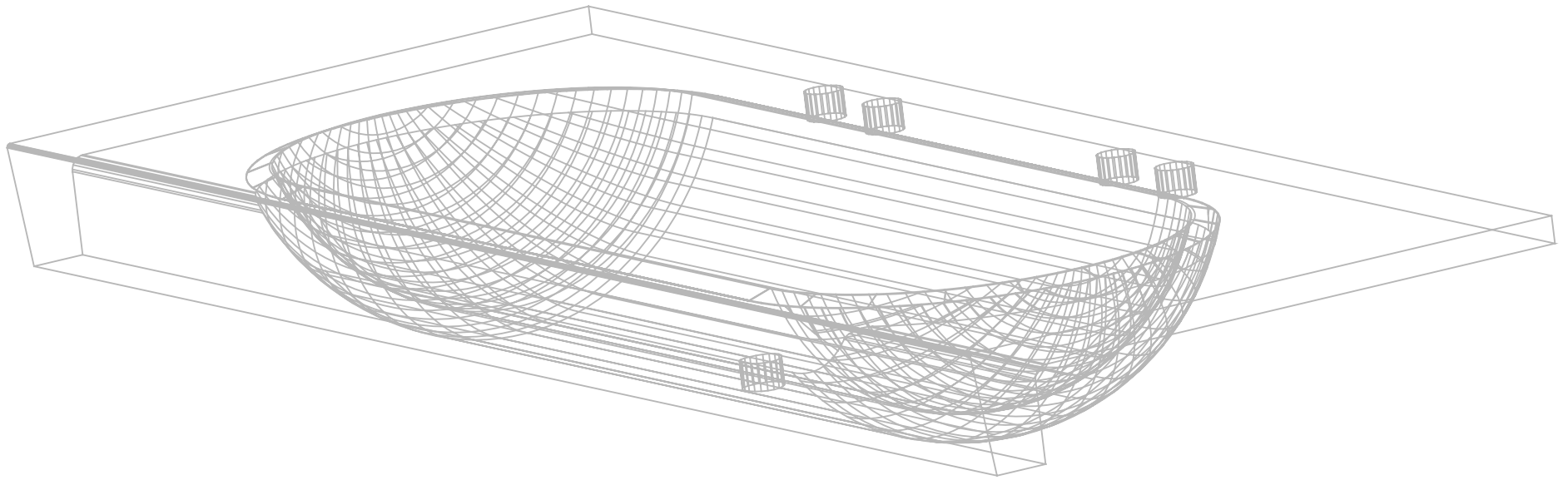


TS-1648 (1 OR 2 FAUCETS)



TS-1666 (1 - 3 FAUCETS)

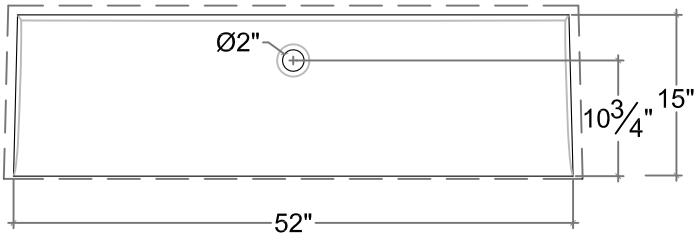
TROUGH - 3D



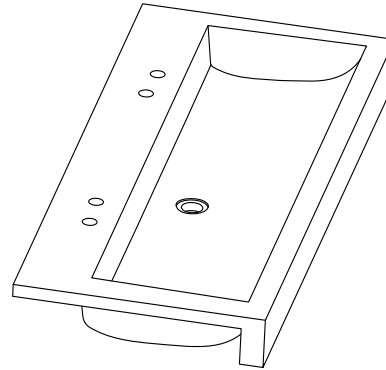
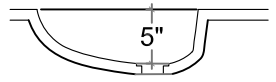
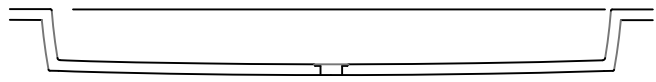


SONOMA CAST STONE CORPORATION
133 COPELAND STREET PETALUMA, CA 94952
707-283-1888
FAX 707-283-1899

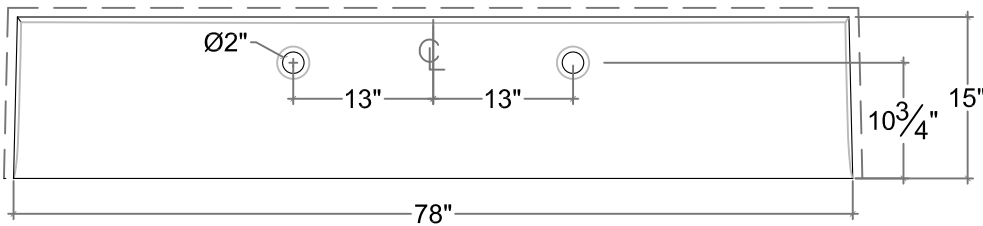
CHICAGO TROUGH SINKS



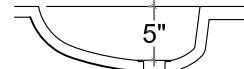
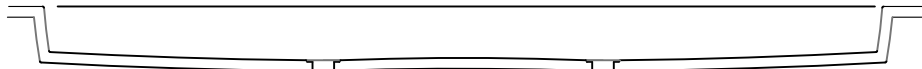
CS-5215
52" x 15" x 5"



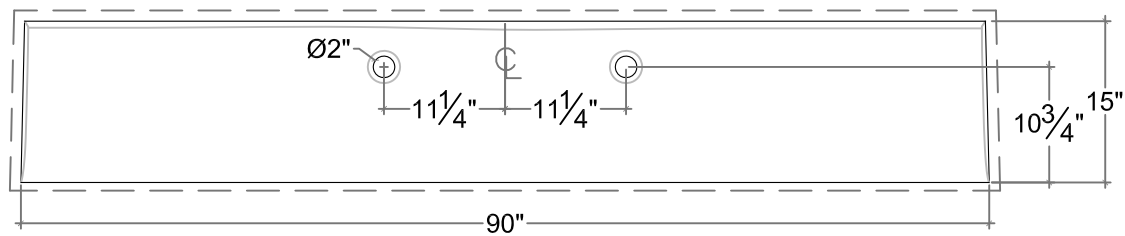
THIS MODEL CAN COMPLY WITH A.D.A. STANDARDS



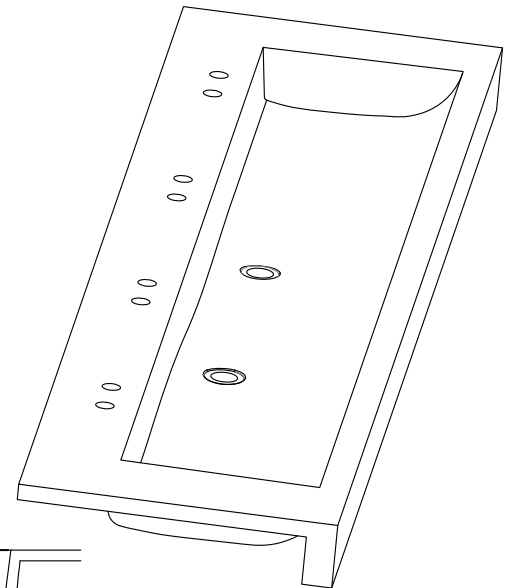
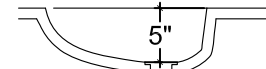
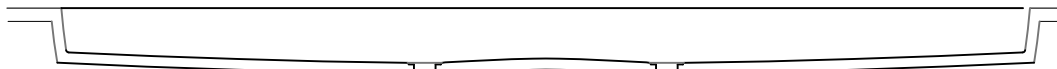
CS-7815
78" x 15" x 5"



THIS MODEL CAN COMPLY WITH A.D.A. STANDARDS



CS-9015
90" x 15" x 5"



THIS MODEL CAN COMPLY WITH A.D.A. STANDARDS