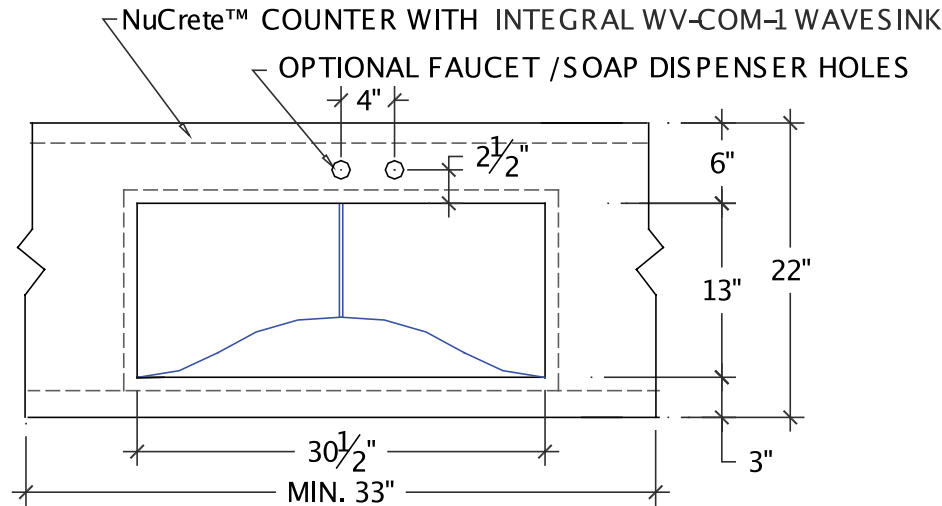
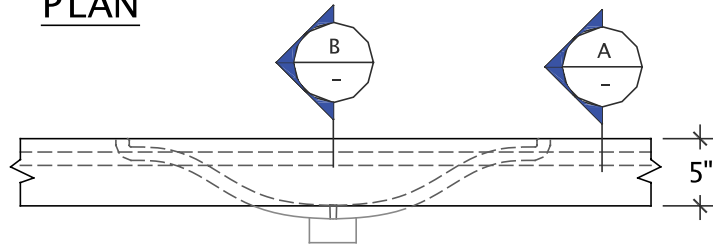


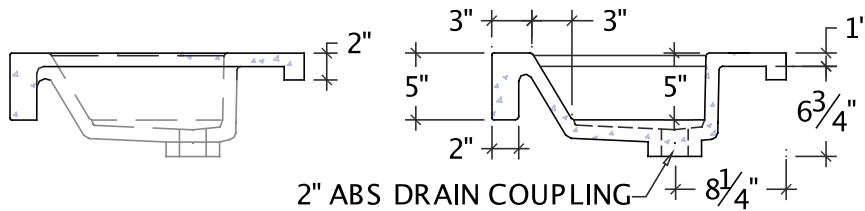
WAVE - ADA SINGLE



PLAN

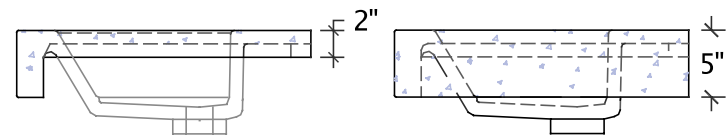


FRONT ELEVATION



SECTION A

SECTION B



WALL END

FINISH END