



COMMERCIAL WAVESINK - QUADRUPLE 1-2-1 VARIANT ADA COMPLIANT

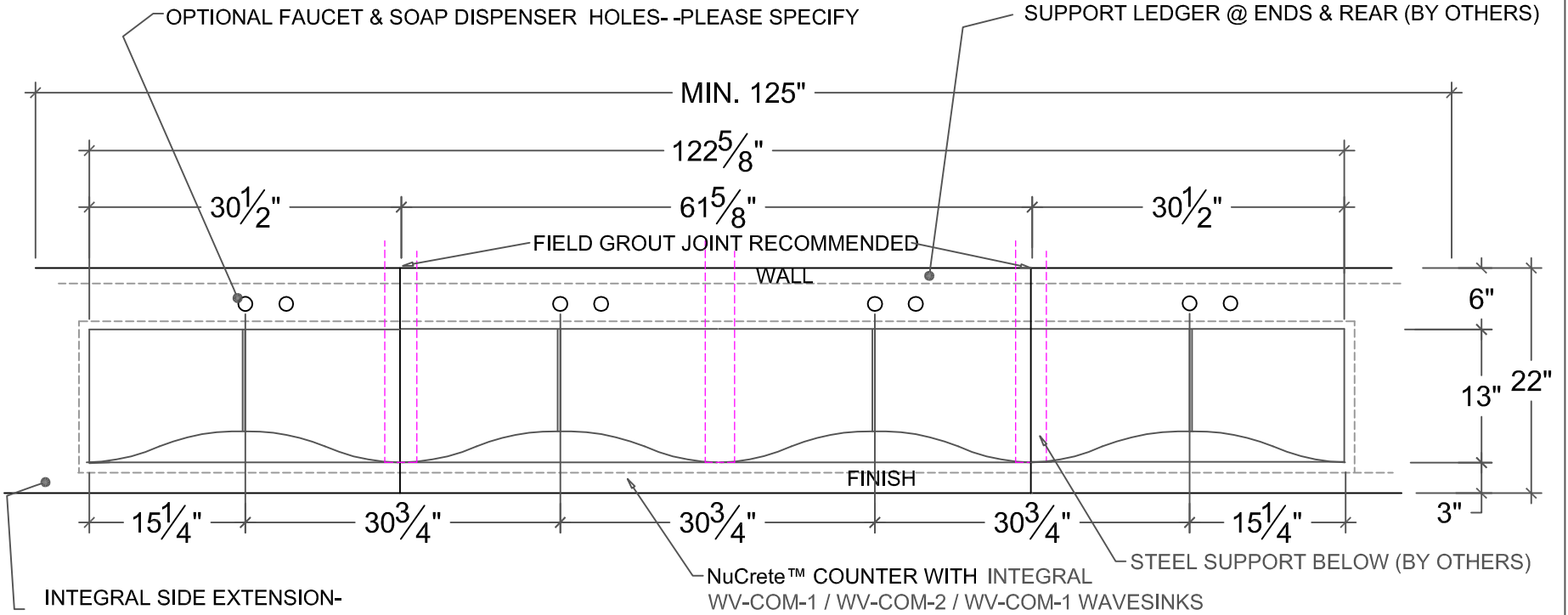
SONOMA CAST STONE CORPORATION
 133 COPELAND STREET PETALUMA, CA 94952
 707-283-1888 FAX 707-283-1899

ESTIMATE #
 EST. REVISION #

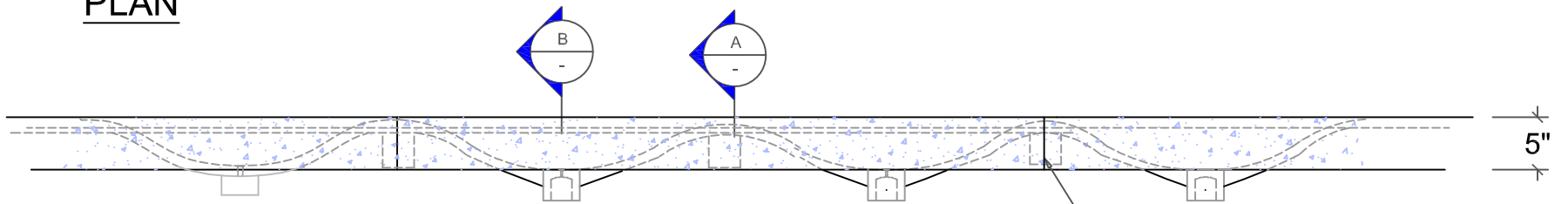
DATE :
 DWG REVISION #

DRAWN BY: CF
 SHEET #

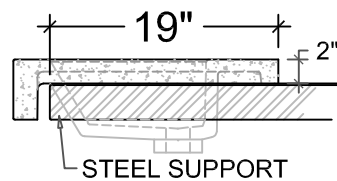
QUAD COMMERCIAL WAVESINK, 1-2-1 VARIANT



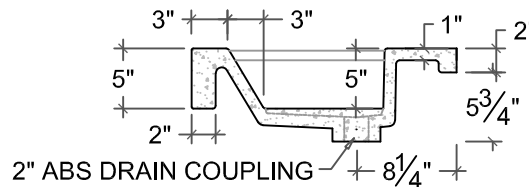
PLAN



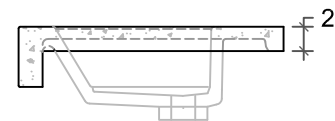
FRONT ELEVATION



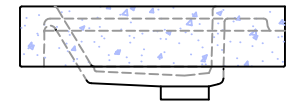
SECTION A



SECTION B



WALL END



FINISH END



SONOMA CAST STONE CORPORATION
 133 COPELAND STREET PETALUMA, CA 94952
 707-283-1888
 FAX 707-283-1899

WV-COM-4

ESTIMATE #
 EST. REVISION #
 DATE : 5/23/2011
 DWG REVISION #

DRAWN BY: CF
 SHEET #

