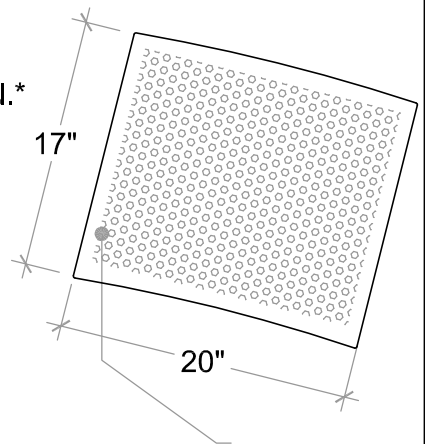
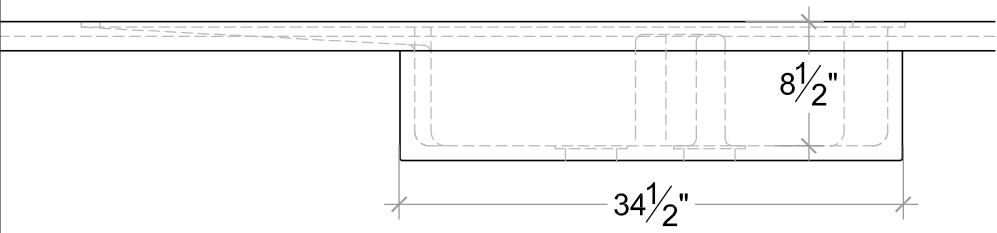


PLAN

* TYPICAL MINIMUM DIMENSIONS, DEPENDING ON CABINET & FAUCET CONFIGURATION

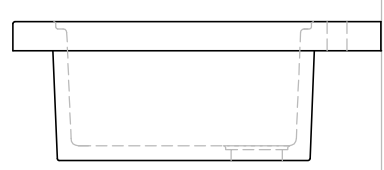


SLIDING STAINLESS RINSE BOARD



FRONT ELEVATION

@ WIDEST POINT



RIGHT ELEVATION

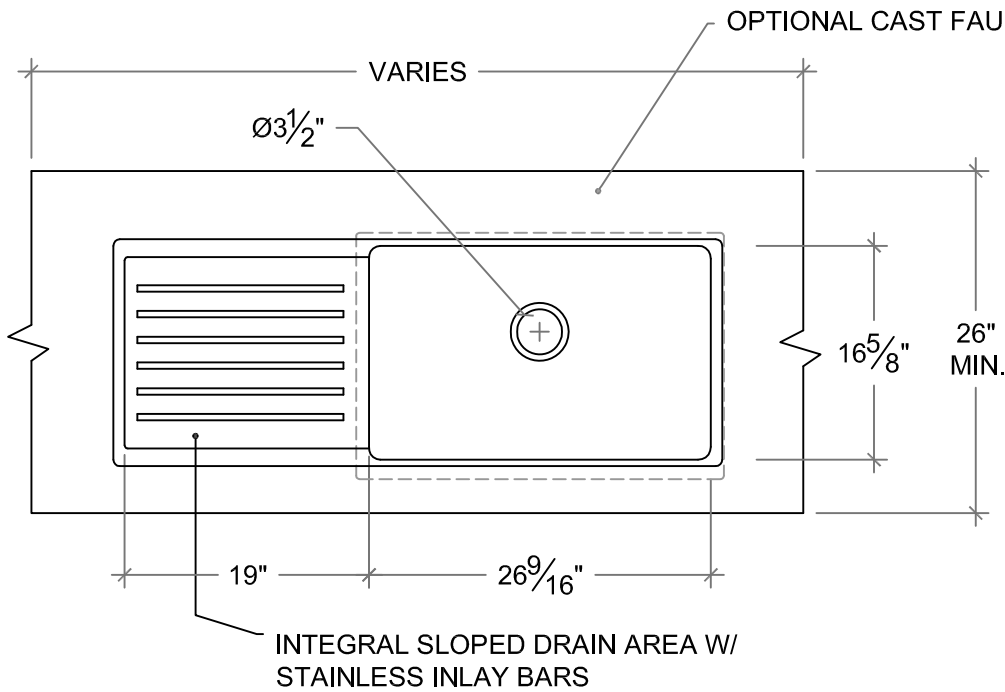
CUSTOM CAST CURVED COUNTER WITH INTEGRAL CURVED DOUBLE CHEFSINK



SONOMA CAST STONE CORPORATION
 133 COPELAND STREET PETALUMA, CA 94952
 707-283-1888
 FAX 707-283-1899

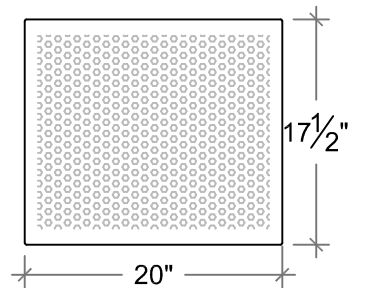
CURVED CHEFSINK

CUSTOM CAST COUNTER WITH INTEGRAL SINGLE CHEFSINK

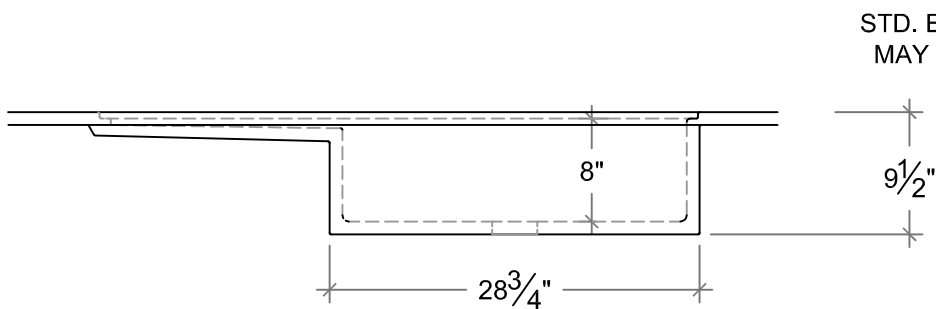


PLAN

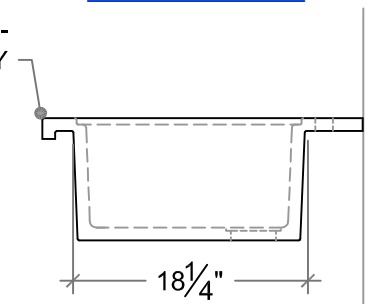
*24" MIN. W/
WALL-MOUNT
FAUCET



SLIDING
STAINLESS
RINSE BOARD



FRONT ELEVATION



RIGHT ELEVATION



SONOMA CAST STONE
CORPORATION
133 COPELAND STREET PETALUMA, CA 94952
707-283-1888
FAX 707-283-1899

SINGLE INTEGRAL CHEFSINK MODEL CHF-SGL

ESTIMATE #

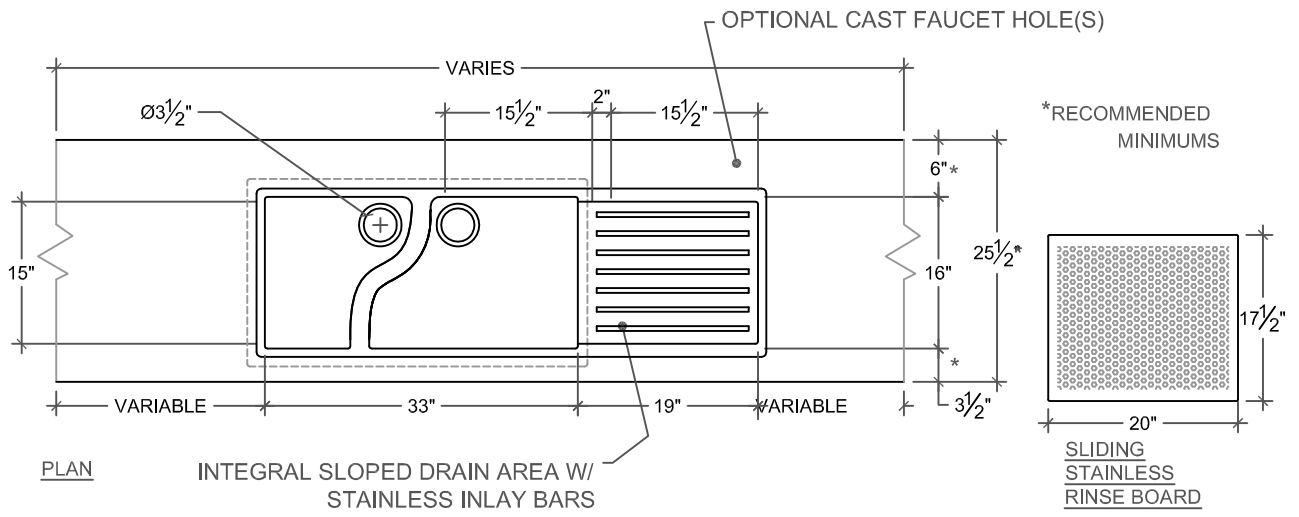
DATE : 6/17/2010

DRAWN BY: CF

EST. REVISION #

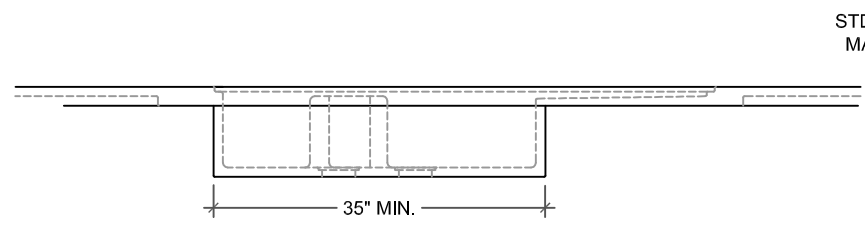
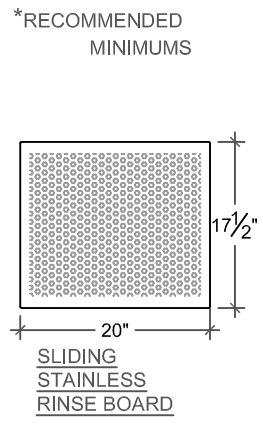
DWG REVISION #

SHEET #

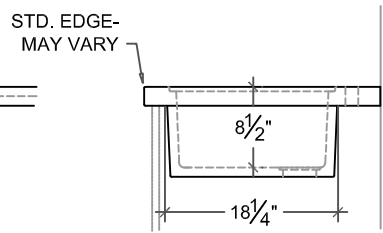


PLAN

INTEGRAL SLOPED DRAIN AREA W/
STAINLESS INLAY BARS

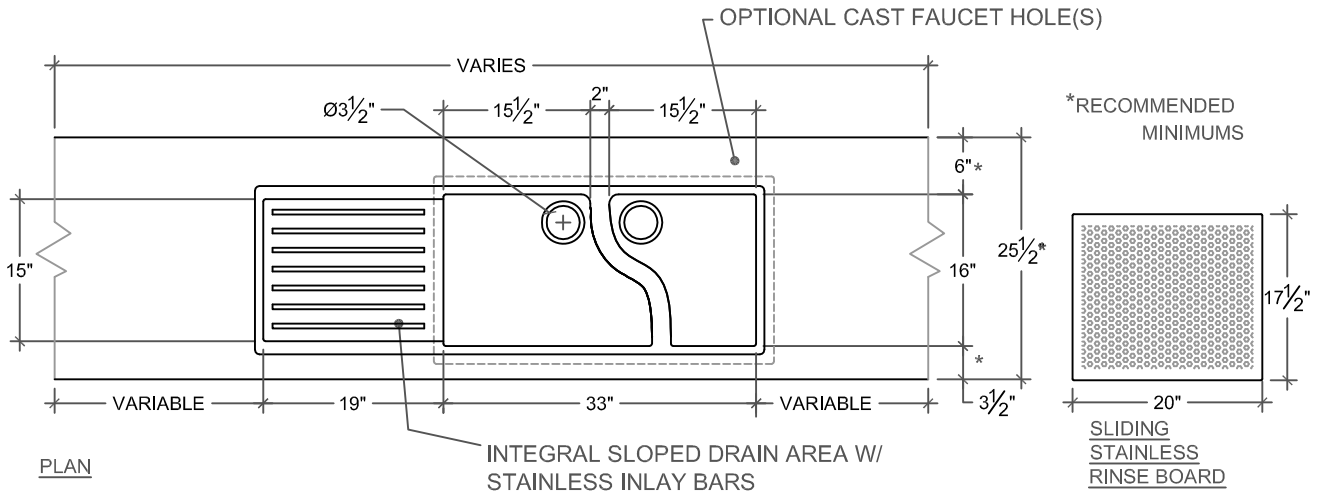


FRONT ELEVATION



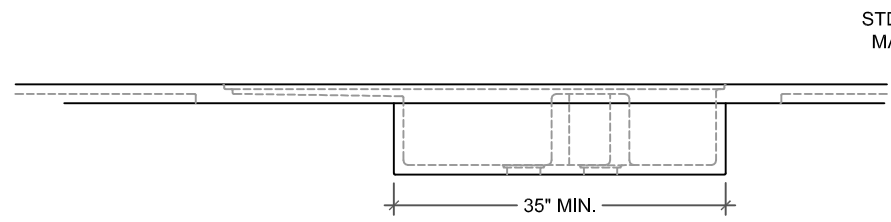
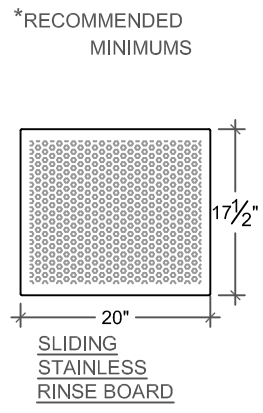
RIGHT ELEVATION

MODEL CHF-R
CUSTOM CAST COUNTER WITH INTEGRAL CHEFSINK, RIGHT HAND

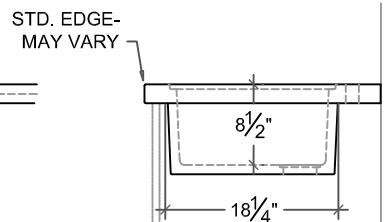


PLAN

INTEGRAL SLOPED DRAIN AREA W/
STAINLESS INLAY BARS



FRONT ELEVATION



RIGHT ELEVATION

MODEL CHF-L
CUSTOM CAST COUNTER WITH INTEGRAL CHEFSINK, LEFT HAND



SONOMA CAST STONE
CORPORATION
133 COPELAND STREET PETALUMA, CA 94952
707-283-1888
FAX 707-283-1899

**CHEFSINK OPTIONS
WITH DRAINBOARD**