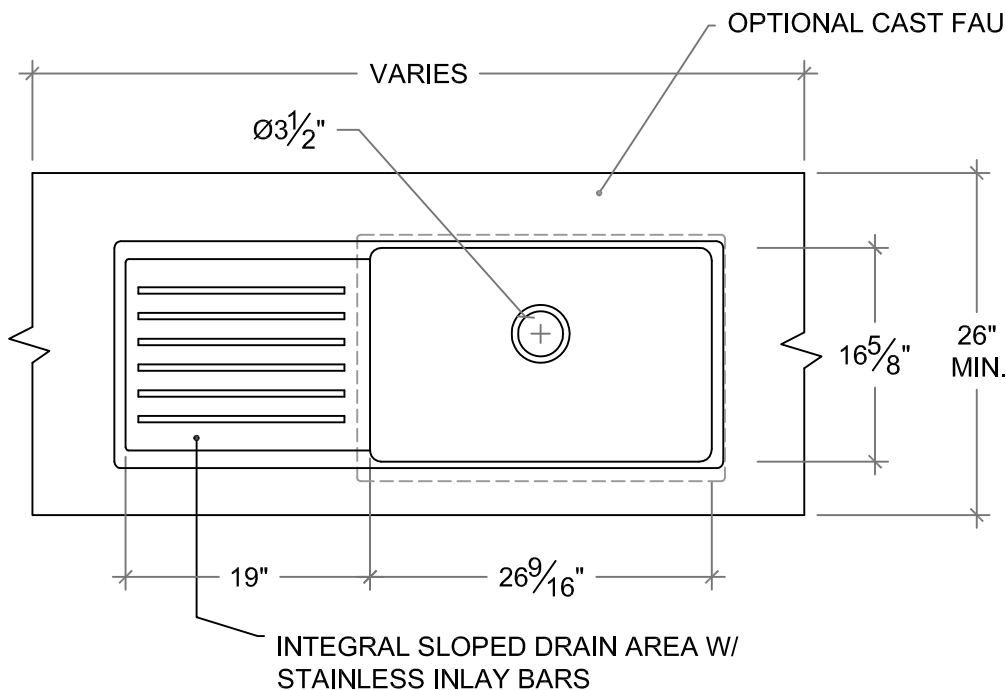
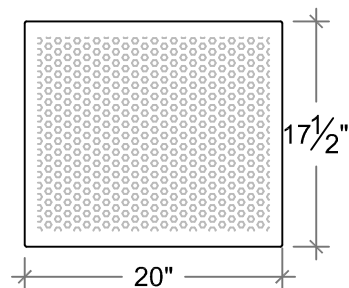


CUSTOM CAST COUNTER WITH INTEGRAL SINGLE CHEFSINK

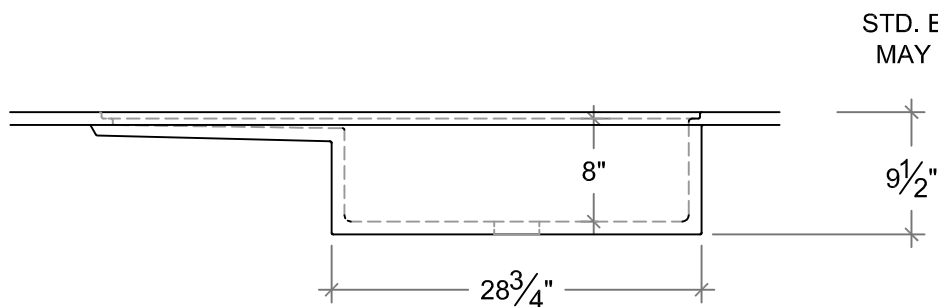


PLAN

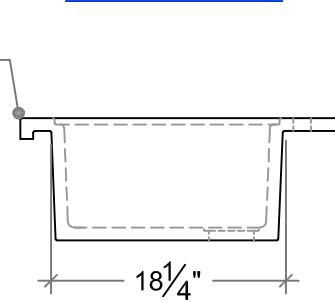
*24" MIN. W/
WALL-MOUNT
FAUCET



SLIDING
STAINLESS
RINSE BOARD



FRONT ELEVATION



RIGHT ELEVATION



SONOMA CAST STONE
CORPORATION
133 COPELAND STREET PETALUMA, CA 94952
707-283-1888
FAX 707-283-1899

SINGLE INTEGRAL CHEFSINK MODEL CHF-SGL

ESTIMATE #	DATE : 6/17/2010	DRAWN BY: CF
EST. REVISION #	DWG REVISION #	SHEET #