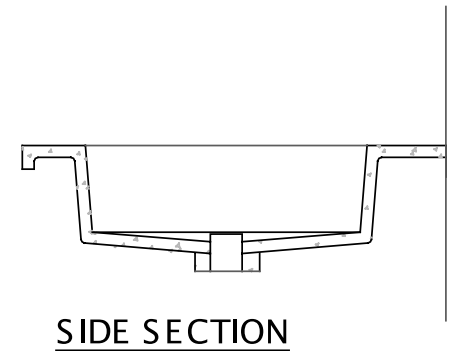
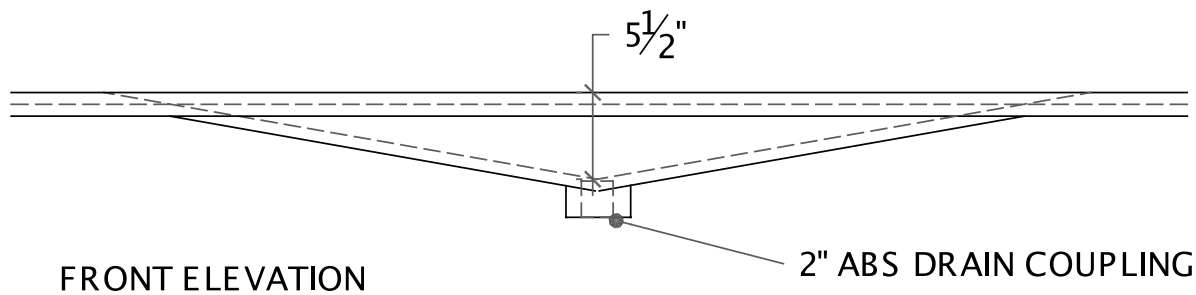
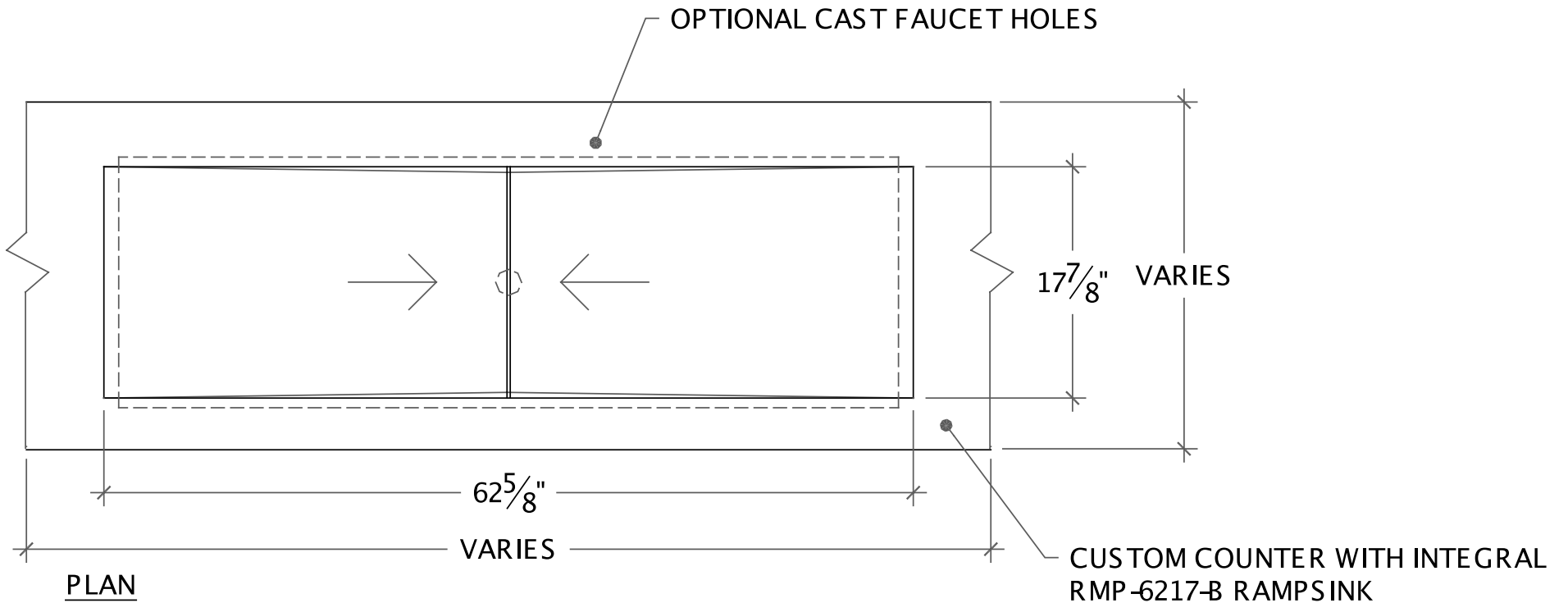


INTEGRAL RAMP - CTR - EXAMPLE - RMP-6217-M



EXAMPLE OF CENTER-SLOPING RAMPSINK