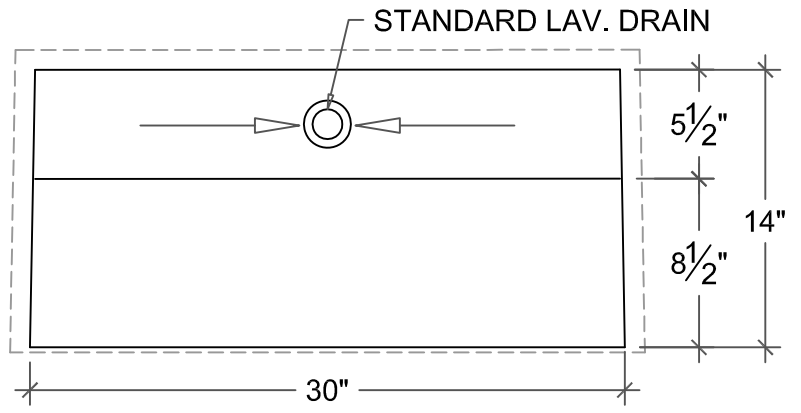
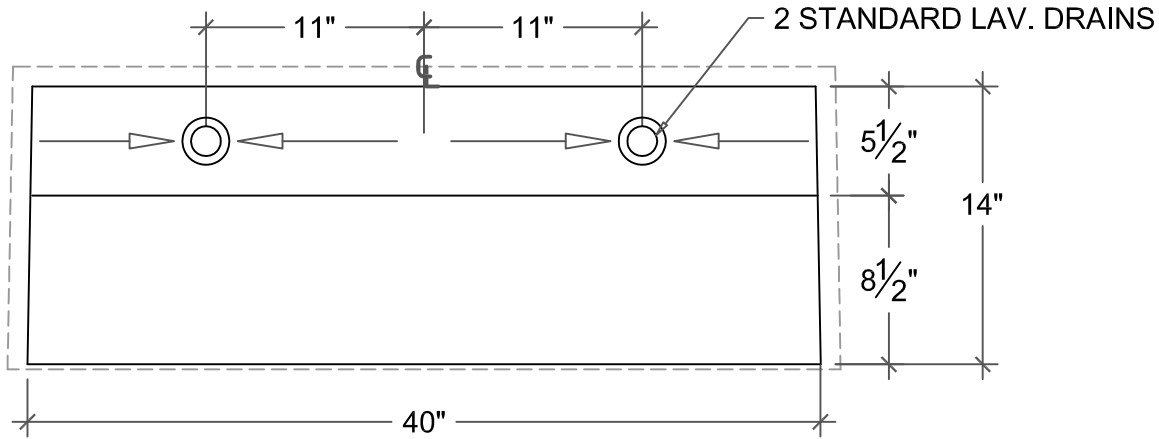


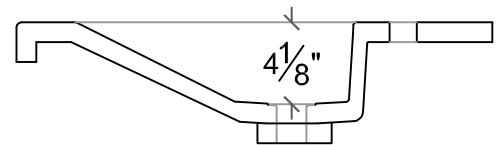
Model RMP-1614-SD



Model RMP-3014-SD



Model RMP-4014-SD



TYP. SECTION @ DRAIN



**SONOMA CAST STONE**  
CORPORATION  
133 COPELAND STREET PETALUMA, CA 94952  
707-283-1888  
FAX 707-283-1899

FLAT BOTTOM RAMPSINKS  
WITH STANDARD DRAIN