



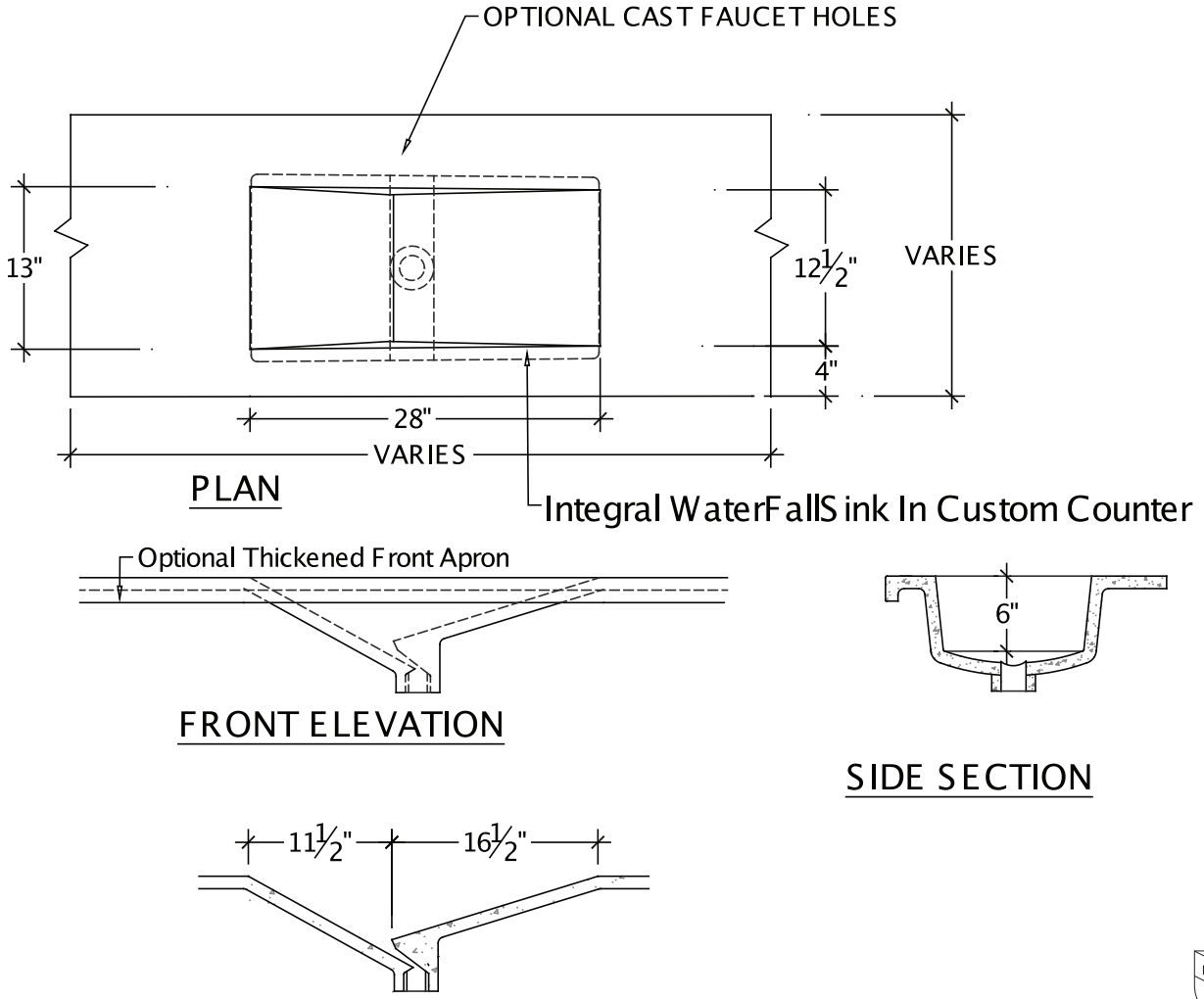
CUSTOM RESIDENTIAL PRODUCTS

SONOMA CAST STONE CORPORATION
 Makers of NuCrete™, The World's Only Stainless Concrete
 877.283.1897 • www.sonomastone.com



For more product info, or to download replacement forms, see: www.sonomastone.com

Custom WaterfallSink - Residential



Designs ©2007 Sonoma Cast Stone Corp. All rights reserved.

Visit www.sonomastone.com to see photos of this and other products.



• DESCRIPTION

Premiered at the Sunset Magazine Idea House, the custom integral WaterFallsink is like a center-sloping RampSink™ with overlapping ramp elements in a cast concrete countertop.

Water flows from the deck or wall-mount faucet to the top ramp and then it flows gently onto the lower ramp and into drain. Allows the insertion of a second color on the top Ramp as an option.

Allows for constant drainage without soap build up or standing water areas. Slot drain replaces traditional drain assembly, so there is no visible hardware.

A Standard size sink is also available. See Standard Products (p06).

• FACTS

Classic Concrete (diamond-sanded, sealed & waxed) or Stainless Nucrete™. 24 standard colors. See: www.sonomastone.com, catalog or techbinder. Custom colors available. Order samples online, or call 877-283-2400 x113.

Back and Side Splash optional.

Faucet Holes pre-cast to customer specifications. May use deck- or wall-mount faucets. The slot drain couples to conventional 1-1/4" drain assemblies. May be cabinet or wall-mounted. Aprons up to 8" available. Allow for thickened front apron on counters spanning more than 36" unsupported. Allow min. 3" counter ea. side of sink and min. of 5-1/2" counter at faucet side of sink for deck-mount faucets.

For UPC (IAPMO) listing, see Appendix, p08-10.

Weight varies by design.