

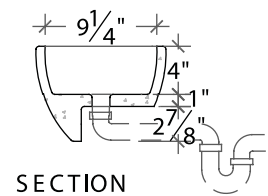
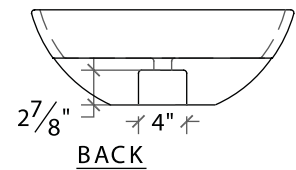
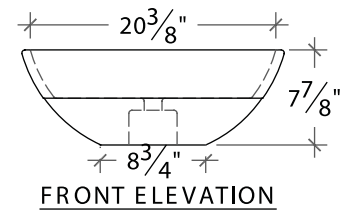
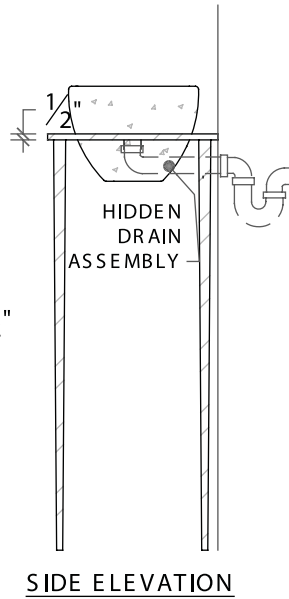
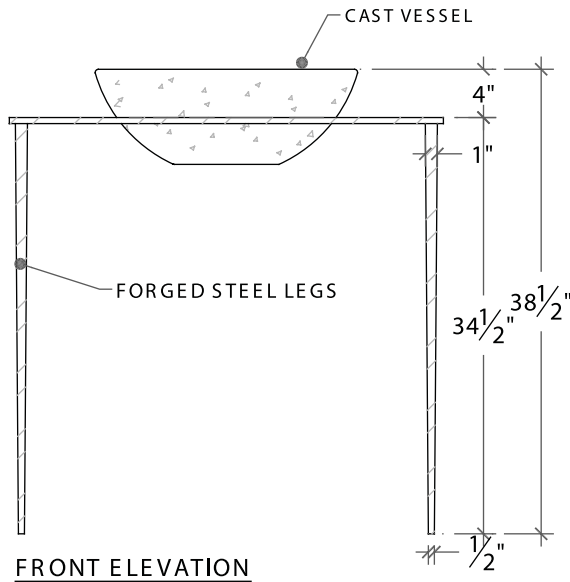
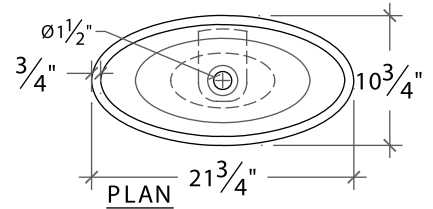
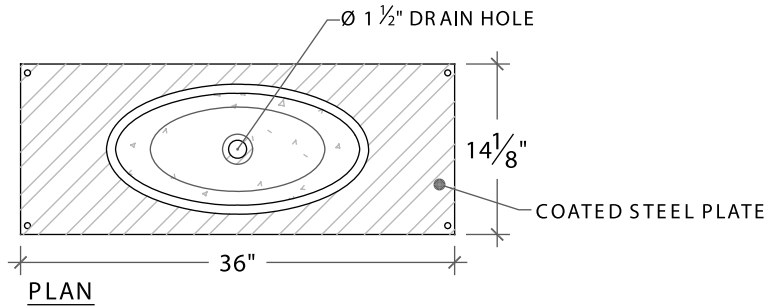
STANDARD PRODUCTS

SONOMA CAST STONE CORPORATION
 Makers of NuCrete™, The World's Only Stainless Concrete
 877.283.2400 • www.sonomastone.com



For more product info, or to download replacement forms, see: www.sonomastone.com

BreakThru (steel) BRKTHR-S



Designs ©2007 Sonoma Cast Stone Corp. All rights reserved.

Visit www.sonomastone.com to see photos of this and other products.



• DESCRIPTION

Breaking through not only a mild steel base, but also through conventional design. Looking at this unique vanity straight on, the name BreakThru becomes obvious as the bowl "breaks through" the steel base.

From above, the bowl appears to float on this base and looking at it from any angle, the drain pipe is hidden.

The necessary P-trap is concealed in a wall access panel and the drain connection is hidden in the body of the BreakThru.

True simplicity, true magic. If that isn't enough, the legs are hand forged with highlighted hammered blows.

• FACTS

Classic Concrete (diamond-sanded, sealed & waxed) or Stainless NuCrete™. 24 standard colors. See: www.sonomastone.com, catalog or techbinder. Custom colors available. Order samples online, or call 877-283-2400 x113.

Steel Countertop and hand-forged steel legs. Some Assembly required.

Accommodates wall faucets only.

Drain hole fits most 1-1/4" standard drain assemblies (not included).

For UPC (IAPMO) listing, see Appendix, p08-10.

Approximate Weight: 122 lbs / Crated 226 lbs. (including stand)