

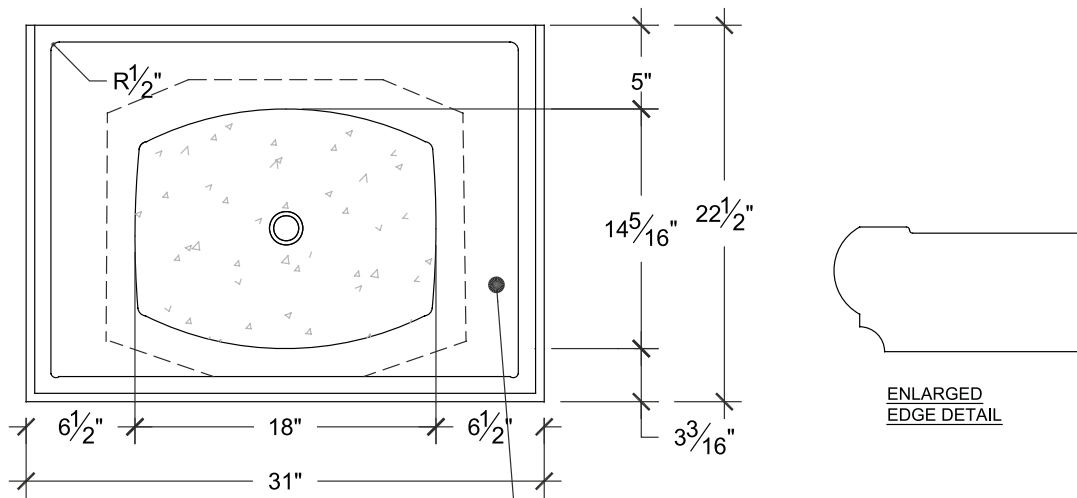
# STANDARD PRODUCTS

SONOMA CAST STONE CORPORATION  
 Makers of NuCrete™, The World's Only Stainless Concrete  
 877.283.2400 • www.sonomastone.com



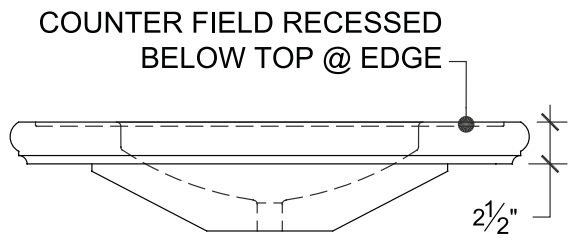
For more product info, or to download replacement forms, see: [www.sonomastone.com](http://www.sonomastone.com)

## CountryClub

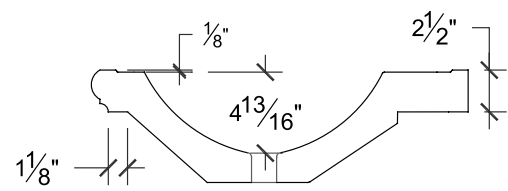


**PLAN**

CONC. COUNTERTOP  
 W/ INTEGRAL COUNTERSINK  
 AND RAISED EDGE



**FRONT ELEVATION**



**SIDE ELEVATION**

Designs ©2007 Sonoma Cast Stone Corp. All rights reserved.

Visit [www.sonomastone.com](http://www.sonomastone.com) to see photos of this and other products.



• **DESCRIPTION**

The CountryClub is in the genteel tradition of a Savannah smoking club, embellished with the metropolitan flair of a Parisian toilette des Mademoiselles.

Pre-cast concrete countertop with traditional ogee edge detailing has a recessed faucet deck with integral CounterSink. May use deck or wall-mount faucets.

Optional metal stand evokes an old world style is available in several finishes (p14).

• **FACTS**

Classic Concrete (diamond-sanded, sealed & waxed) or Stainless Nucrete™. 24 standard colors. See: [www.sonomastone.com](http://www.sonomastone.com), catalog or techbinder. Custom colors available. Order samples online, or call 877-283-2400 x113.

May be cabinet or wall-mounted. Optional metal stand sold separately is available in several finishes. Custom cabinets also available.

Faucet holes optional. May use deck-mount or wall-mount faucets. Drain hole fits most 1-1/4" standard drain assemblies. (not included)

For UPC (IAPMO) listing, see Appendix, p08-10.

Approximate Weight: 164 lbs / Crated 258 lbs (optional stand not included)