

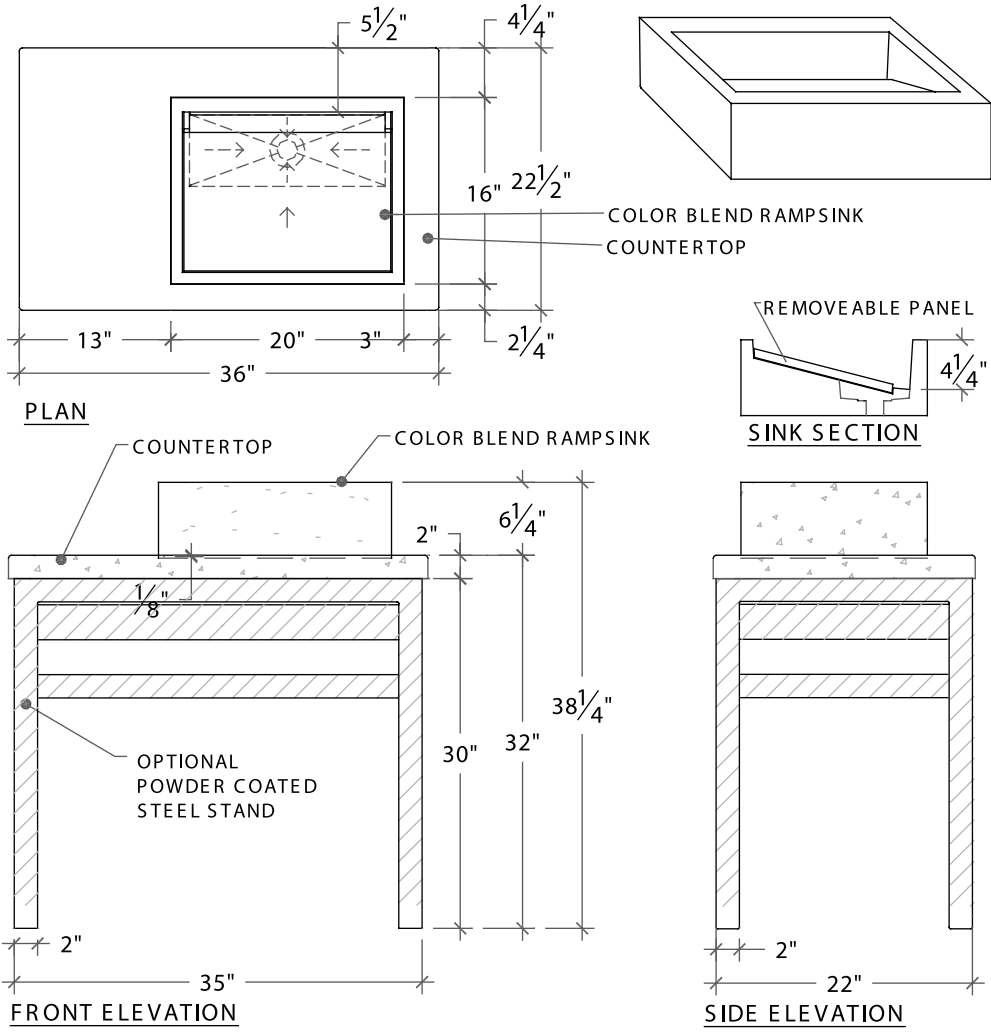
STANDARD PRODUCTS

SONOMA CAST STONE CORPORATION
 Makers of NuCrete™, The World's Only Stainless Concrete
 877.283.2400 • www.sonomastone.com



For more product info, or to download replacement forms, see: www.sonomastone.com

ColorBlend RampSink



Designs ©2007 Sonoma Cast Stone Corp. All rights reserved.

Visit www.sonomastone.com to see photos of this and other products.



DESCRIPTION

Inviting, creative, even whimsical coordination of your favorite tones, the ColorBlend allows you to choose a different color for each design element; the countertop, the box sink, and the ramp insert.

The optional powder-coated steel stand is also available in a selection of colors. You can tone it down or jazz it up depending on your taste.

The countertop is recessed where the box sink is placed. Left, Centered and Right versions available.

FACTS

Classic Concrete (diamond-sanded, sealed & waxed) or Stainless Nucrete™. 24 standard colors. See: www.sonomastone.com, catalog or techbinder. Custom colors available. Order samples online, or call 877-283-2400 x113.

May be cabinet or wall-mounted. Specially designed metal stand sold separately. Custom cabinets also available.

Faucet holes optional. May use deck-mount or wall-mount faucets. Drain hole fits most 1-1/4" standard drain assemblies (not included).

For UPC (IAPMO) listing, see Appendix, p08-10.

Sink & Countertop Approximate Weight: 188 lbs / Crated 284 lbs (not including optional stand)