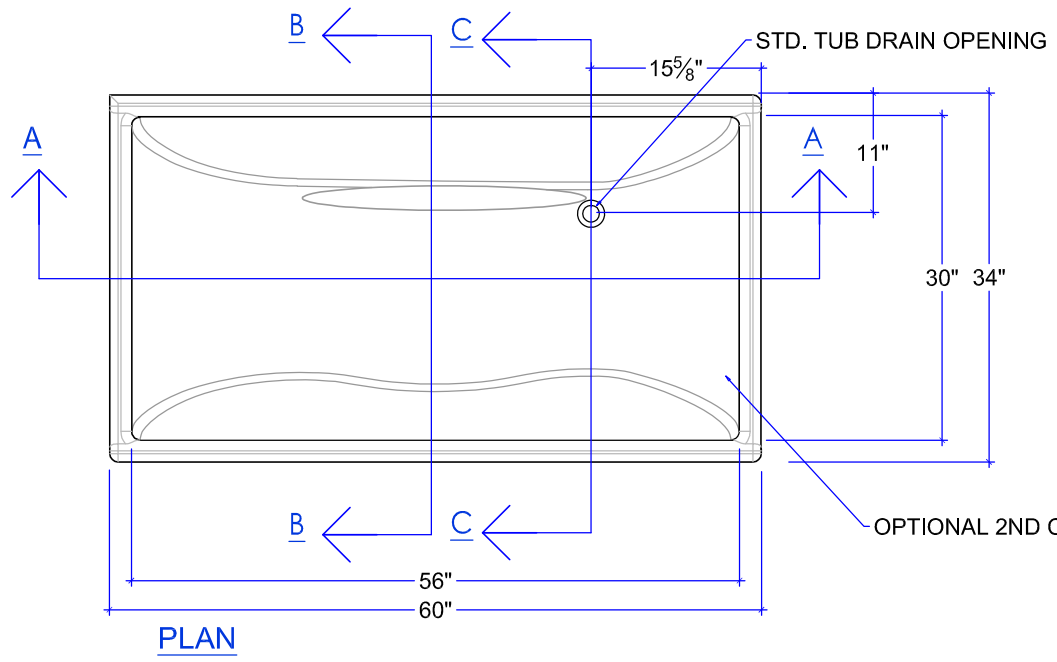




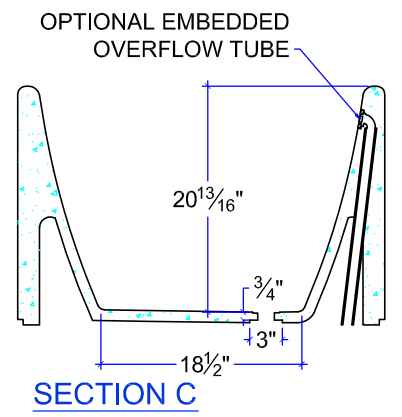
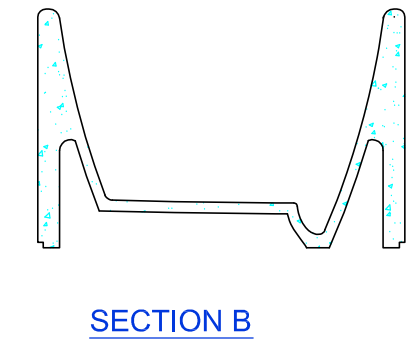
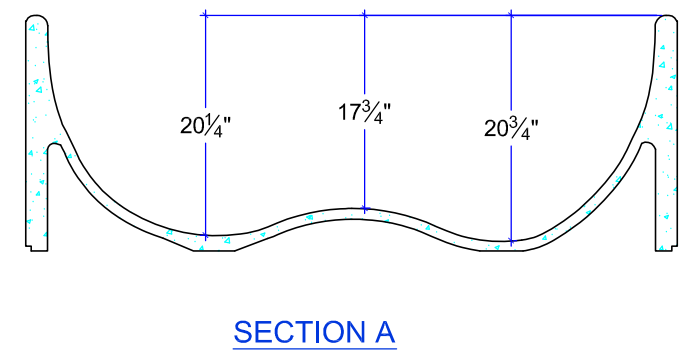
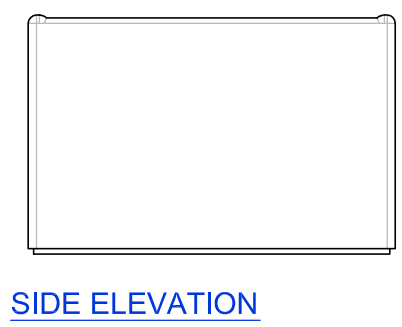
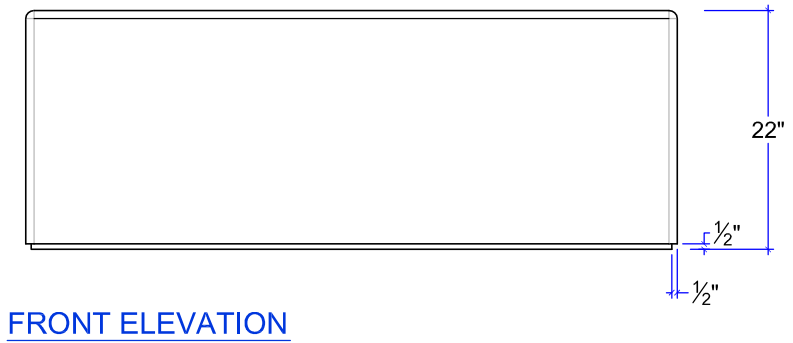
**SONOMA CAST STONE CORPORATION**  
 133 COPELAND STREET PETALUMA, CA 94952  
 707-283-1888  
 FAX 707-283-1899

**INDULGE BATHTUB, "URBAN" EXTERIOR**

DATE : 8/16/2011 DRAWN BY: CF



**CAPACITY: 95 GALLONS**  
**APPROXIMATE DRY WEIGHT: 950LB.**

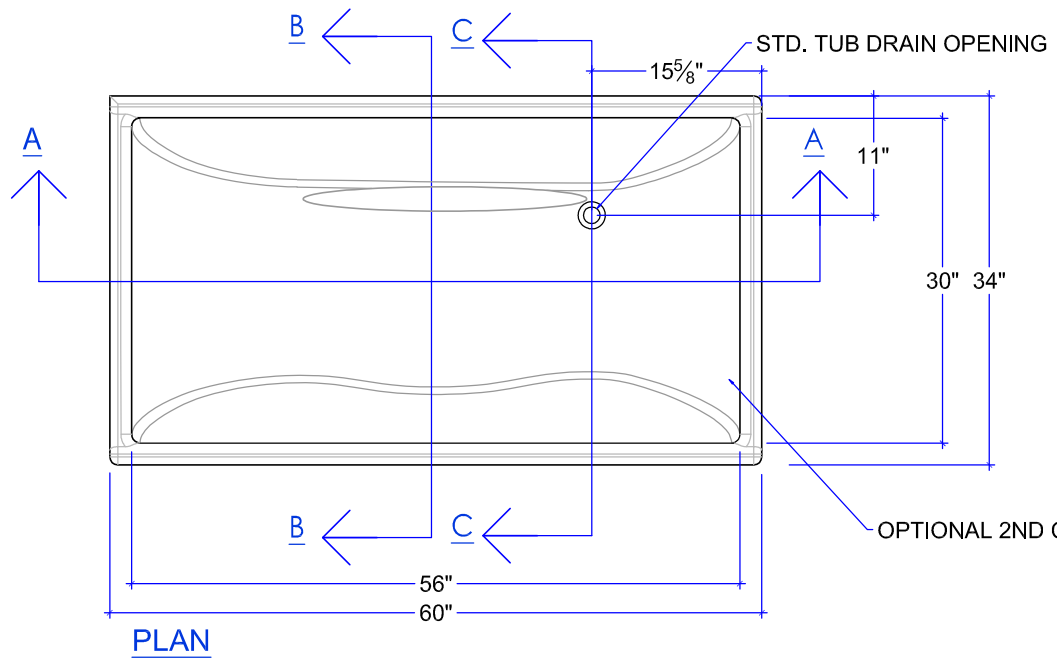




**SONOMA CAST STONE CORPORATION**  
 133 COPELAND STREET PETALUMA, CA 94952  
 707-283-1888  
 FAX 707-283-1899

**INDULGE BATHTUB, STD. EXTERIOR**

DATE : 8/16/2011 DRAWN BY: CF



**CAPACITY: 95 GALLONS**  
**APPROXIMATE DRY WEIGHT: 950LB.**

