



# STANDARD PRODUCTS

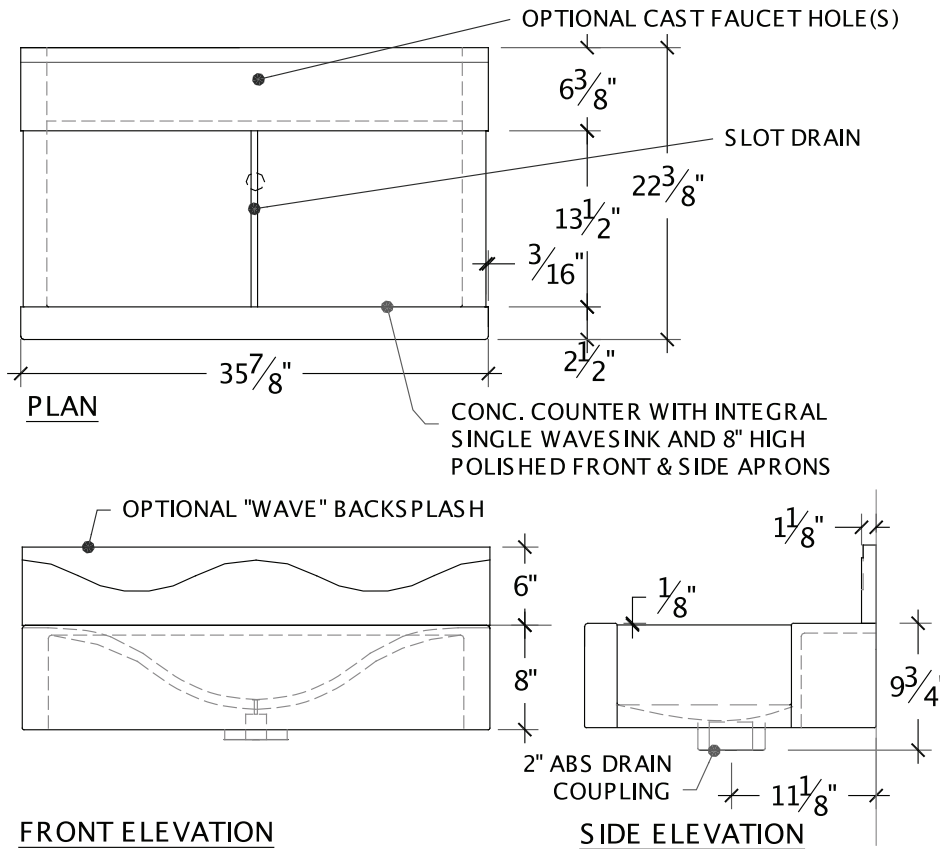
SONOMA CAST STONE CORPORATION  
 Makers of NuCrete™, The World's Only Stainless Concrete  
 877.283.1897 • www.sonomastone.com



For more product info, or to download replacement forms, see: [www.sonomastone.com](http://www.sonomastone.com)

## P-Series WaveSink P-WV

Sonoma Cast Stone offers optional stands of hardwood or powder-coated metal, hand-crafted and designed to complement our P-Series sinks. Sold separately.



Designs ©2009 Sonoma Cast Stone Corp. All rights reserved.

Visit [www.sonomastone.com](http://www.sonomastone.com) to see photos of this and other products.



### • DESCRIPTION

Standard integral Single WaveSink with surrounding counter space. Hidden slot drain replaces a traditional drain assembly. Molds are in stock and ready to pour upon color selection and faucet placement instructions.

This unit rests on designed cabinetry or on one of our specially made hardwood or modern metal stands (p07-08).

The hardwood stands are available in smooth or distressed finish (stained or unstained options).

Also available in a Standard Double-Wave master bath vanity size (p19).

Production time 4-5 weeks.

### • FACTS

Classic Concrete (diamond-sanded, sealed & waxed) or Stainless Nucrete™. 24 standard colors. See: [www.sonomastone.com](http://www.sonomastone.com), catalog or techbinder. Custom colors available. Order samples online, or call 877-283-2400 x113. Optional Back Splash available. (4" x 1-1/8" x 37-7/8"). Specially designed wave backsplash (shown) optional. May be cabinet or wall-mounted. Specially designed metal or wood stands sold separately.

Custom cabinets available. Faucet holes optional to your specification.

May use deck or wall-mount faucets.

Drain hole fits most 1-1/4" standard drain assemblies (not included).

For UPC (IAPMO) listing, see Appendix, p08-10.

Approximate Weight: 180 lbs / Crated 280 lbs (not including optional stand)

TECHBINDER 070201 / STANDARD PRODUCTS / PAGE 02

SEE [WWW.SONOMASTONE.COM](http://WWW.SONOMASTONE.COM) FOR PHOTOS AND ADDITIONAL INFORMATION ON THIS PRODUCT