

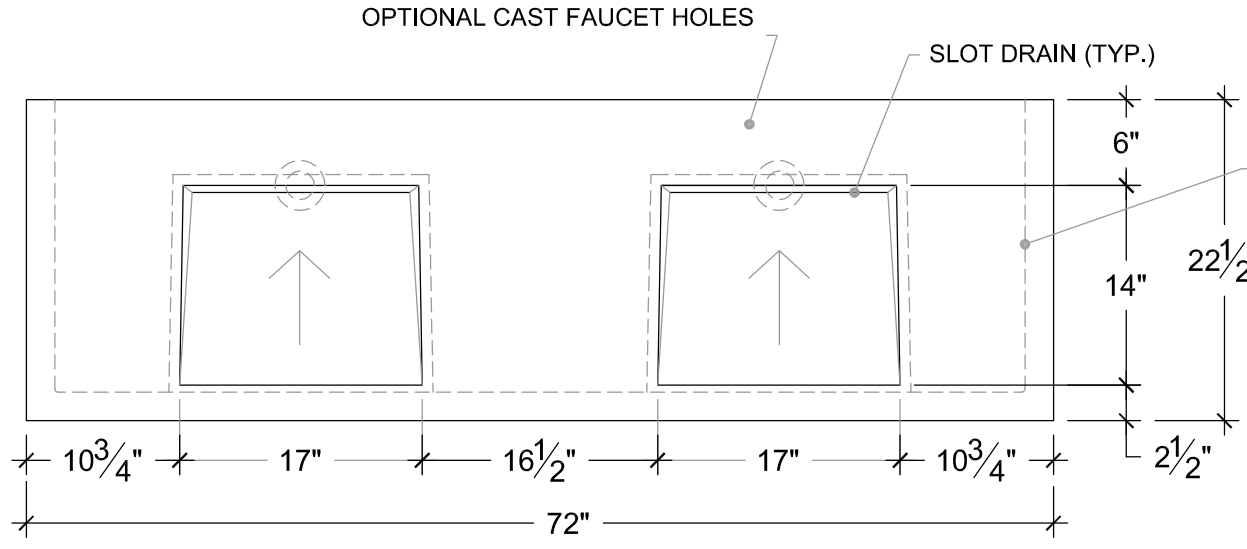


SONOMA CAST STONE CORPORATION
 133 COPELAND STREET PETALUMA, CA 94952
 707-283-1888
 FAX 707-283-1899

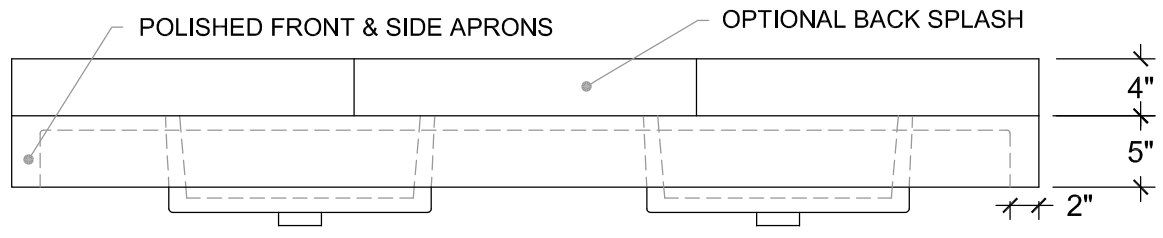
RMP-RES-DBL

ESTIMATE #	DATE : 2/24/2010
EST. REVISION #	DWG REVISION #

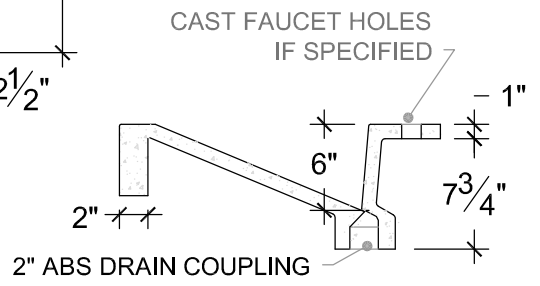
SHEET #	DRAWN BY: CF
---------	--------------



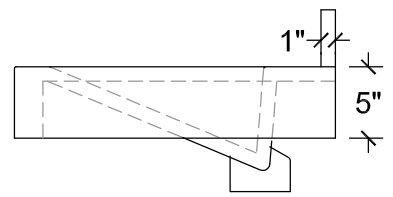
PLAN



FRONT ELEVATION



SECTION



SIDE ELEVATION