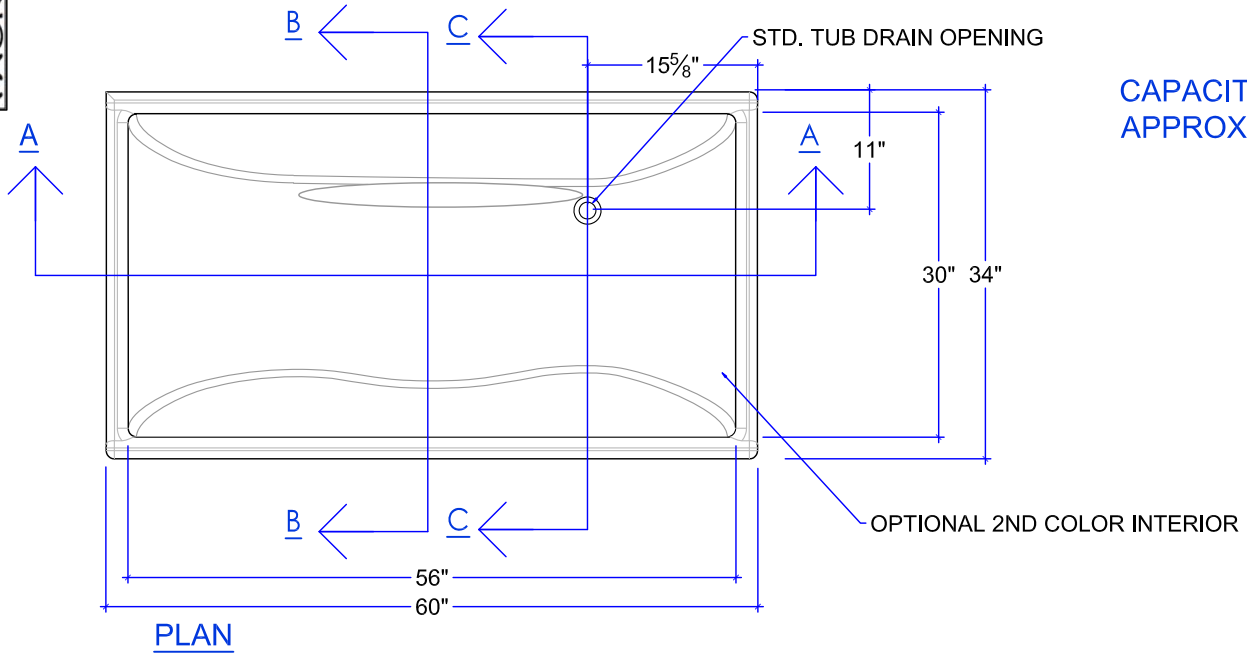


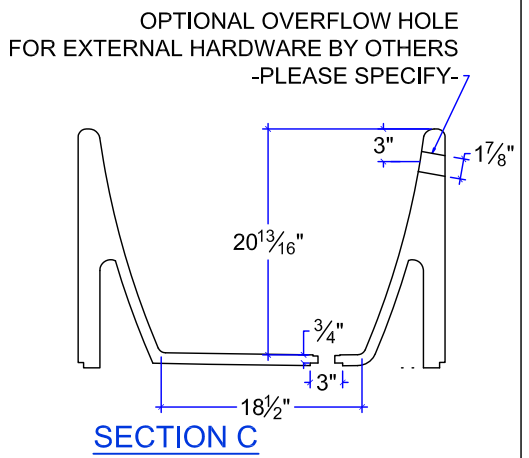
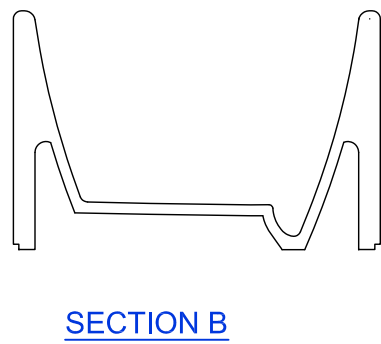
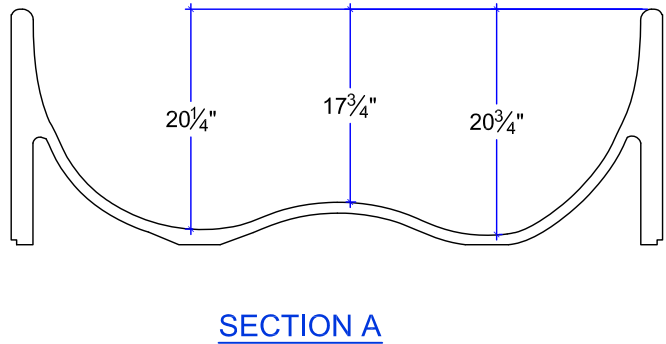
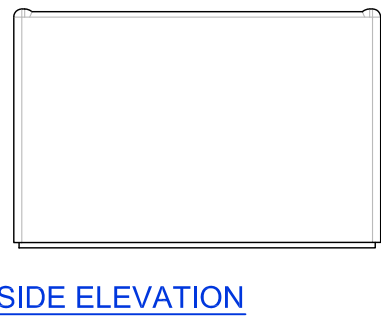
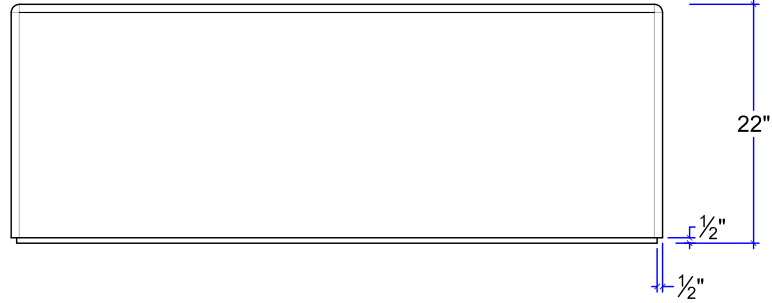


SONOMA CAST STONE CORPORATION
 133 COPELAND STREET PETALUMA, CA 94952
 707-283-1888
 FAX 707-283-1899

INDULGE BATHTUB, "URBAN" EXTERIOR
 DATE : 10/1/2014
 DRAWN BY: CF



CAPACITY: 95 GALLONS
APPROXIMATE DRY WEIGHT: 990LB.

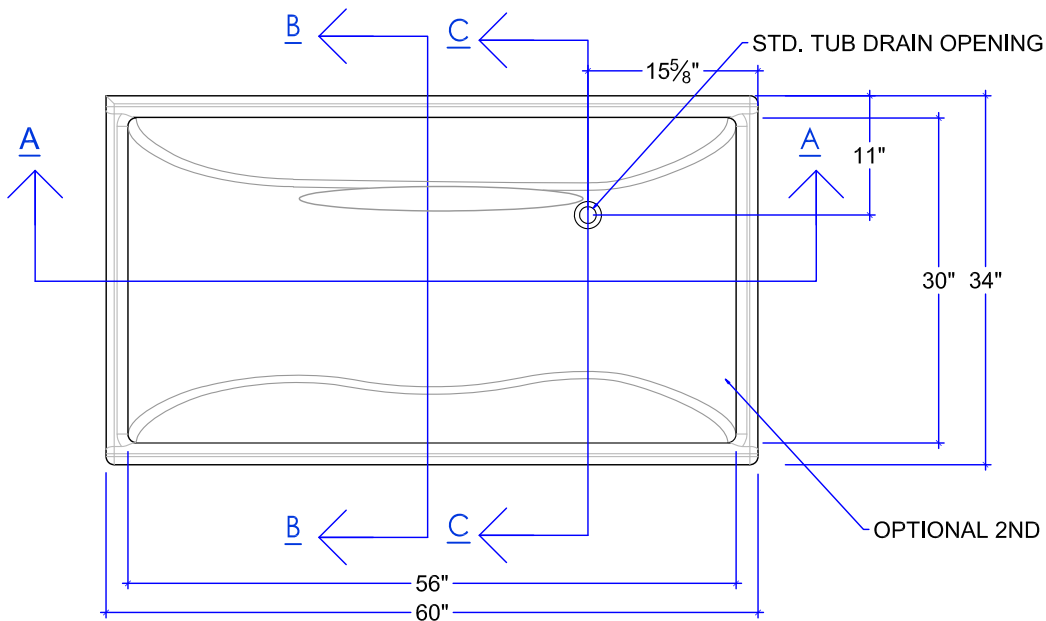




SONOMA CAST STONE CORPORATION
 133 COPELAND STREET · PETALUMA, CA 94952
 707-283-1888
 FAX 707-283-1899

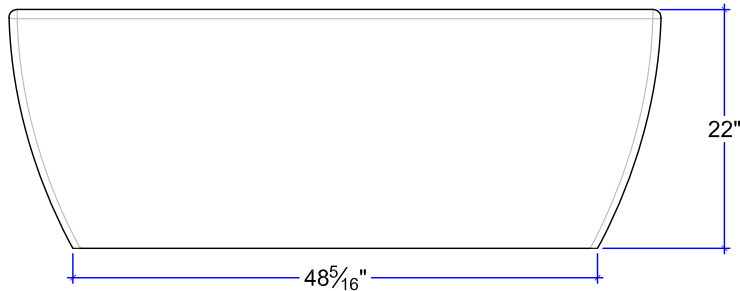
INDULGE BATHTUB, STD. EXTERIOR

DATE : 10/1/2014 DRAWN BY: CF

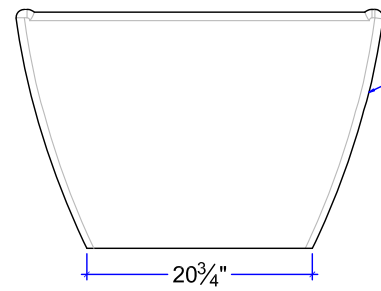


CAPACITY: 95 GALLONS
APPROXIMATE DRY WEIGHT: 885LB.

PLAN



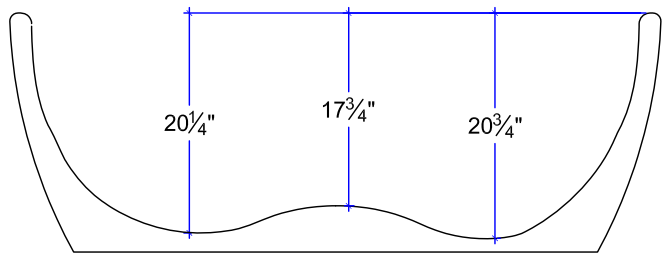
FRONT ELEVATION



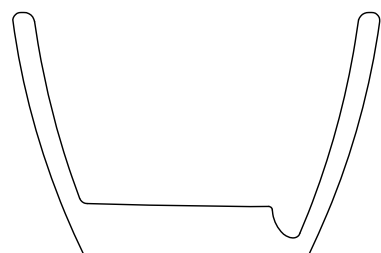
SIDE ELEVATION

HAND FINISHED
RUSTIC EXTERIOR

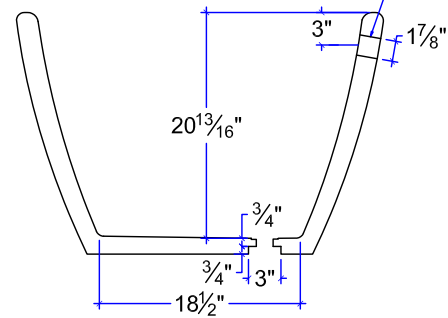
OPTIONAL OVERFLOW HOLE
FOR EXTERNAL HARDWARE BY OTHERS
-PLEASE SPECIFY-



SECTION A



SECTION B



SECTION C

OPTIONAL 2ND COLOR INTERIOR