

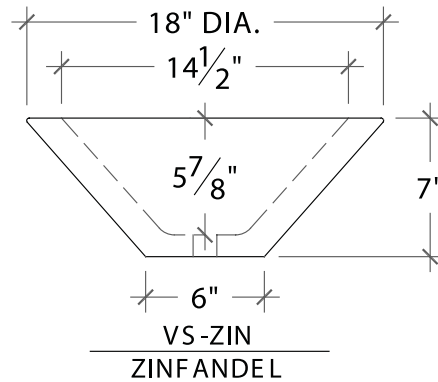
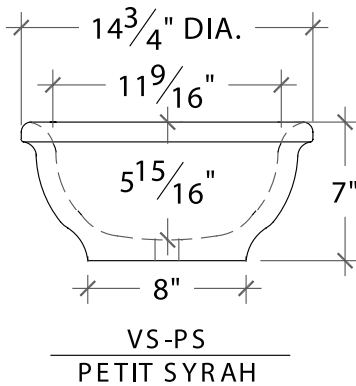
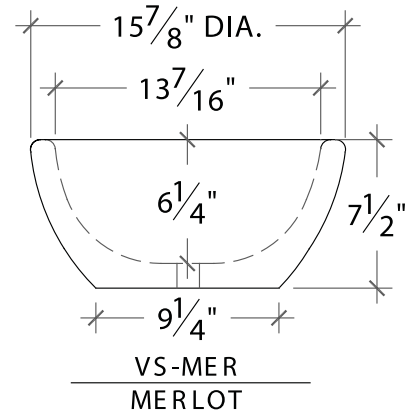
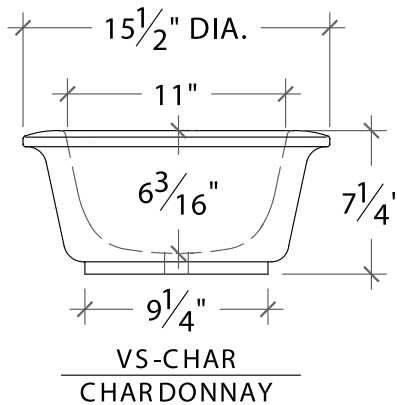
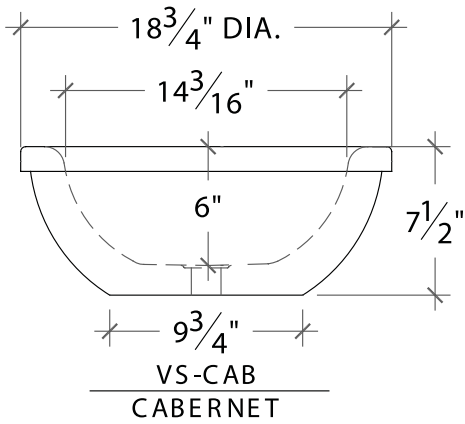
STANDARD PRODUCTS

SONOMA CAST STONE CORPORATION
 Makers of NuCrete™, The World's Only Stainless Concrete
 877.283.2400 • www.sonomastone.com



For more product info, or to download replacement forms, see: www.sonomastone.com

VesselSink™



Designs ©2007 Sonoma Cast Stone Corp. All rights reserved.

Visit www.sonomastone.com to see photos of this and other products.



• FACTS

Pre-cast Concrete VesselSinks™, designed to sit above the countertop, partially recessed, or recessed.

Drain recess accommodates most standard drain assemblies. Drain hole accommodates most 1-1/4" standard drain assemblies. (not included)

Optional Sonoma Cast Stone stands (p16-17) incorporate concrete countertop with pre-cast holes for drain and faucets in smooth or distressed hardwood finishes, (stained or unstained options) or powder-coated metal.

Visit www.sonomaforge.com for tall deck-mounted faucets designed to compliment our VesselSinks™.

Classic Concrete (diamond sanded, sealed & waxed) or Stainless NuCrete™. Available in 8 stock Classic colors (C601 Starry Night, C603 Ash, C610 Toast, C612 Cream, C613 Beeswax, C615 Gazpacho, C622 Green Tea, C624 Mint Cream.) Non-stock colors can be chosen from 16 other standard colors.

For standard color chart: www.sonomastone.com, catalog or techbinder. Custom colors available. Order samples online, or call 877-283-2400 x113.

Can be mounted above the countertop, semi-recessed, fully recessed, or on a stand. Specially designed metal or wood stands sold separately.

For UPC (IAPMO) listing, see Appendix, p08-10.

Weight varies. (Boxed for UPS Shipment, included)