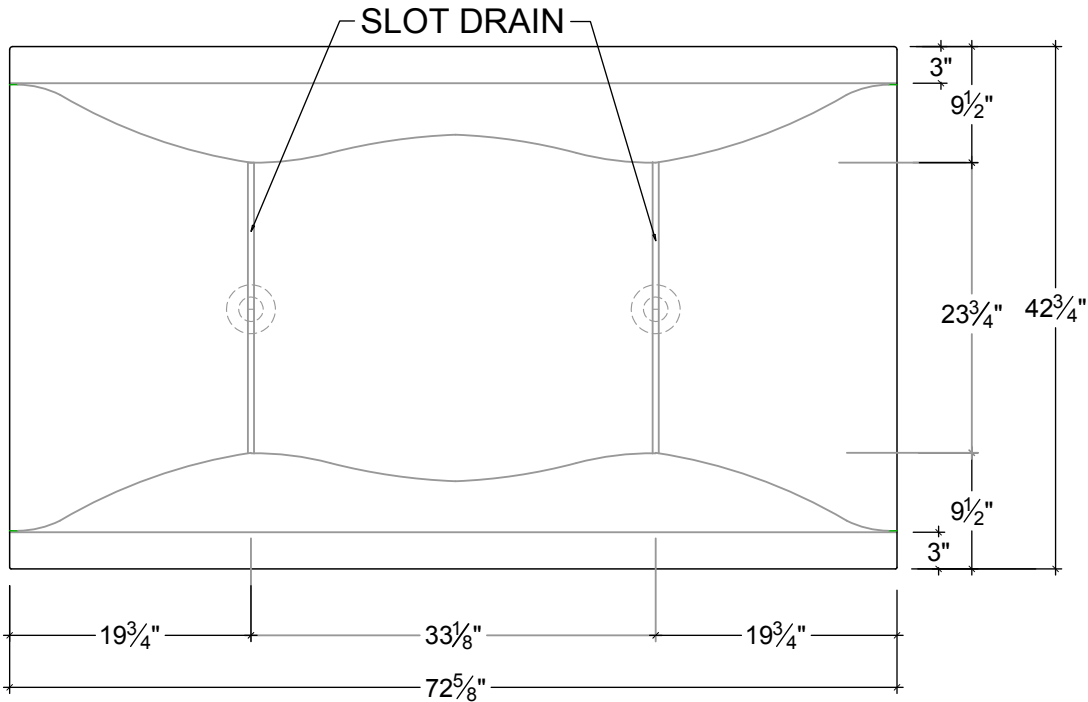


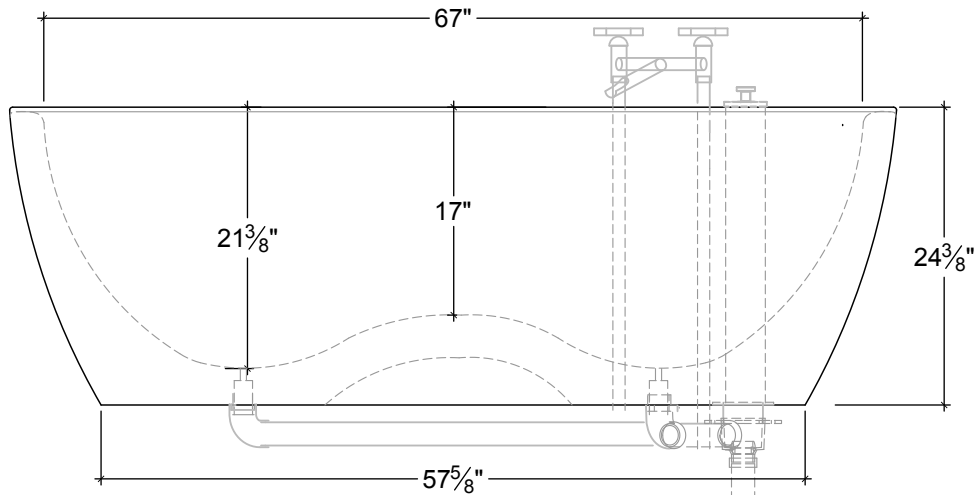
# DOUBLEWAVE SOAKING TUB

130 GALLONS

SONOMA CAST STONE  
CONCRETE INNOVATIONS



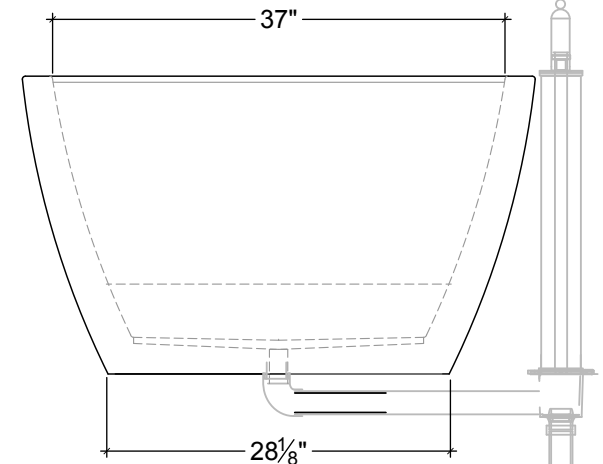
PLAN



FRONT ELEVATION

CAPACITY: 130 GALLONS  
APPROXIMATE DRY WEIGHT: 1,800LB  
FILLED WEIGHT: 2,840LB

FAUCET & OVERFLOW/  
DRAIN OPTIONAL  
BY SONOMA FORGE  
[WWW.SONOMAFORGE.COM](http://WWW.SONOMAFORGE.COM)



SIDE ELEVATION

