

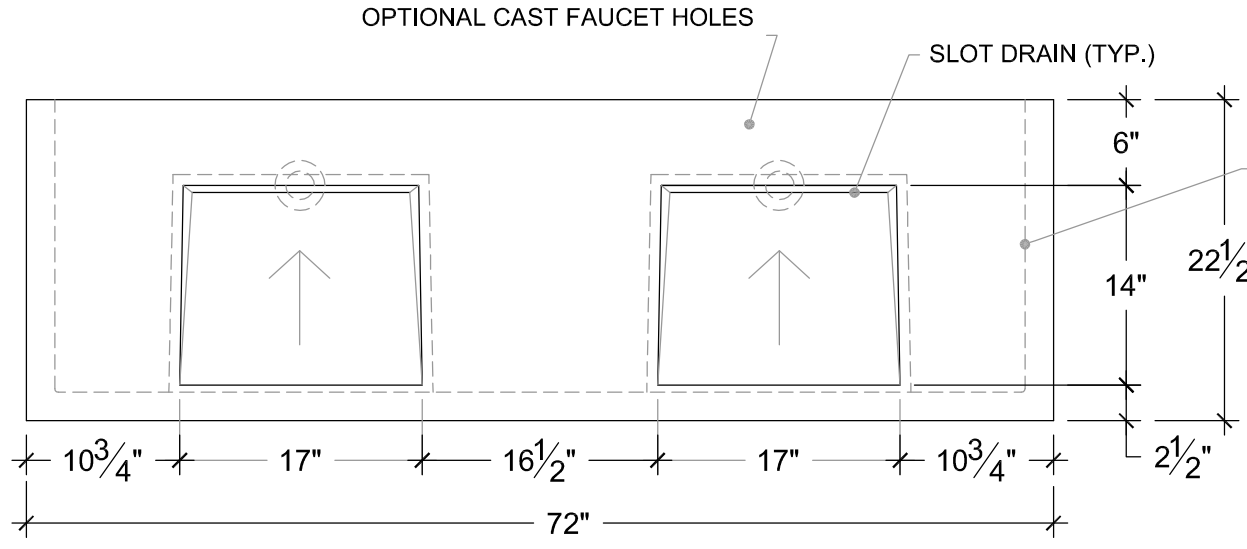


SONOMA CAST STONE CORPORATION
 133 COPELAND STREET PETALUMA, CA 94952
 707-283-1888
 FAX 707-283-1899

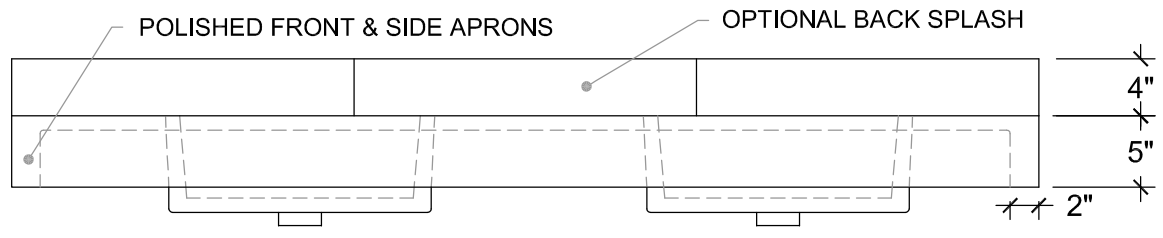
RMP-RES-DBL
 ESTIMATE #
 EST. REVISION #

DATE : 2/24/2010
 DWG REVISION #

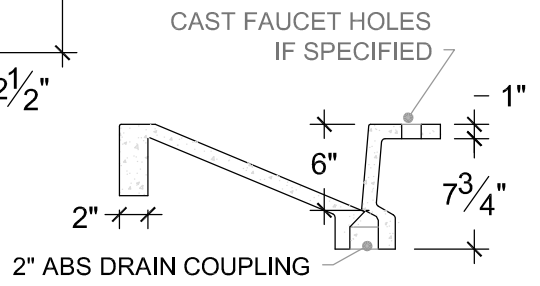
DRAWN BY: CF
 SHEET #



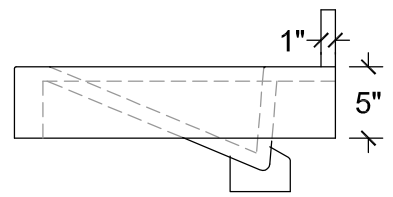
PLAN



FRONT ELEVATION



SECTION



SIDE ELEVATION

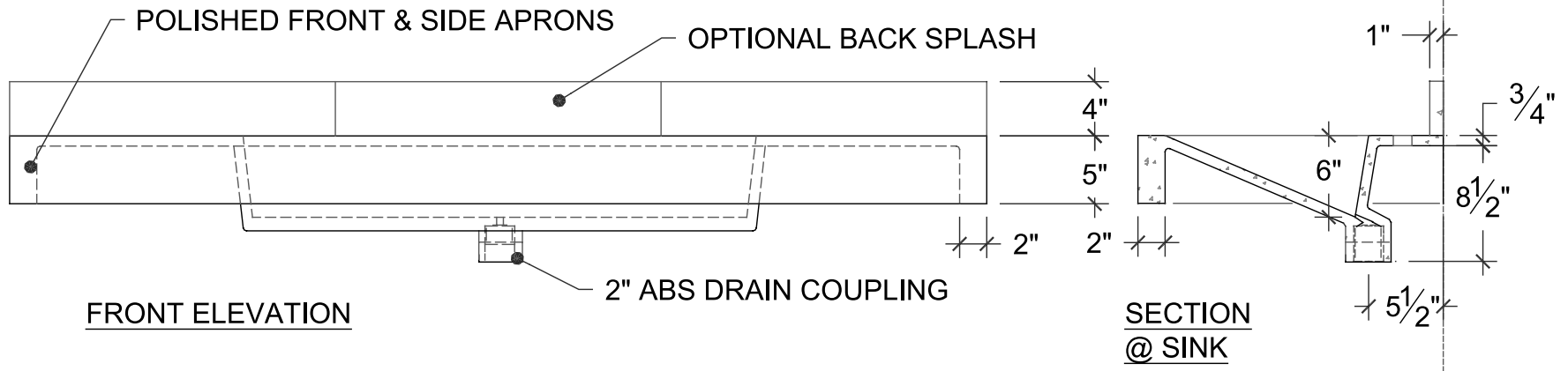
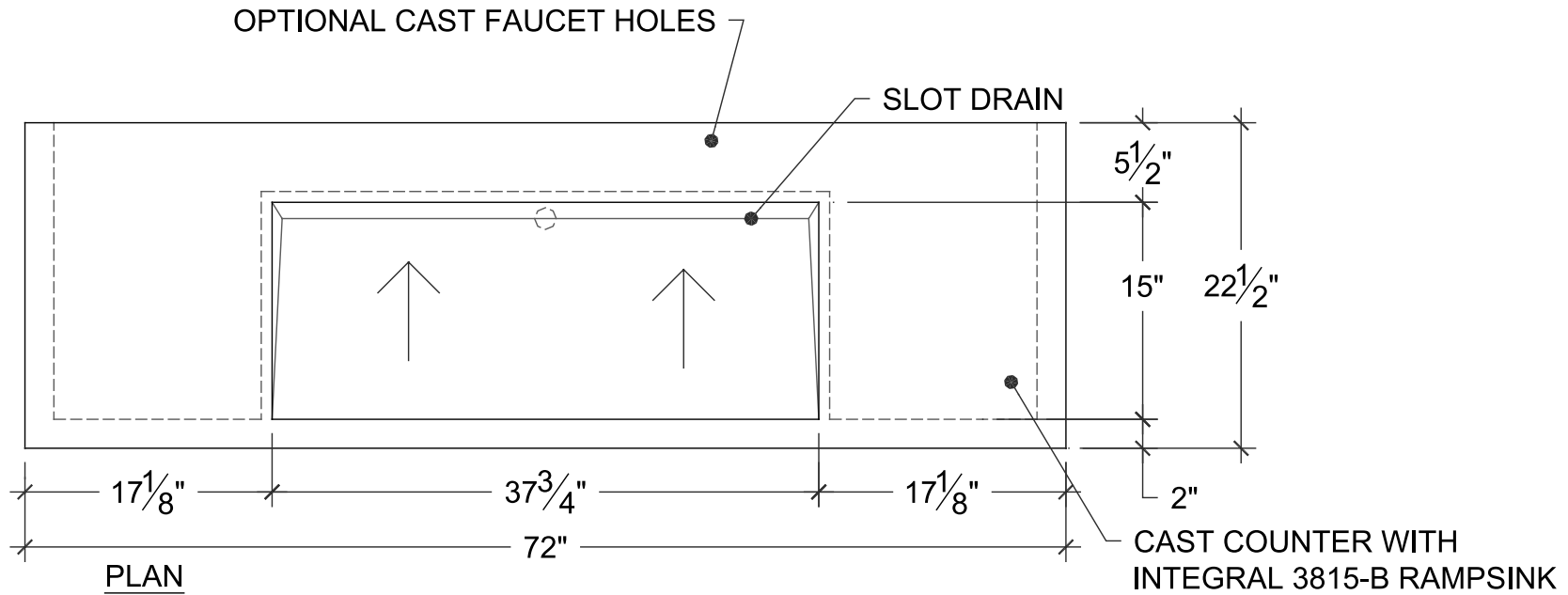


SONOMA CAST STONE / 877.283.2400

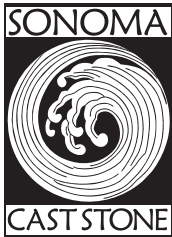
STANDARD PRODUCTS

Visit www.sonomastone.com to see photos.
Designs ©2009 Sonoma Cast Stone Corp. All rights reserved.

MODEL: RAMPSINK DBL RMP-RES-2



RMP-RES-2



STANDARD PRODUCTS

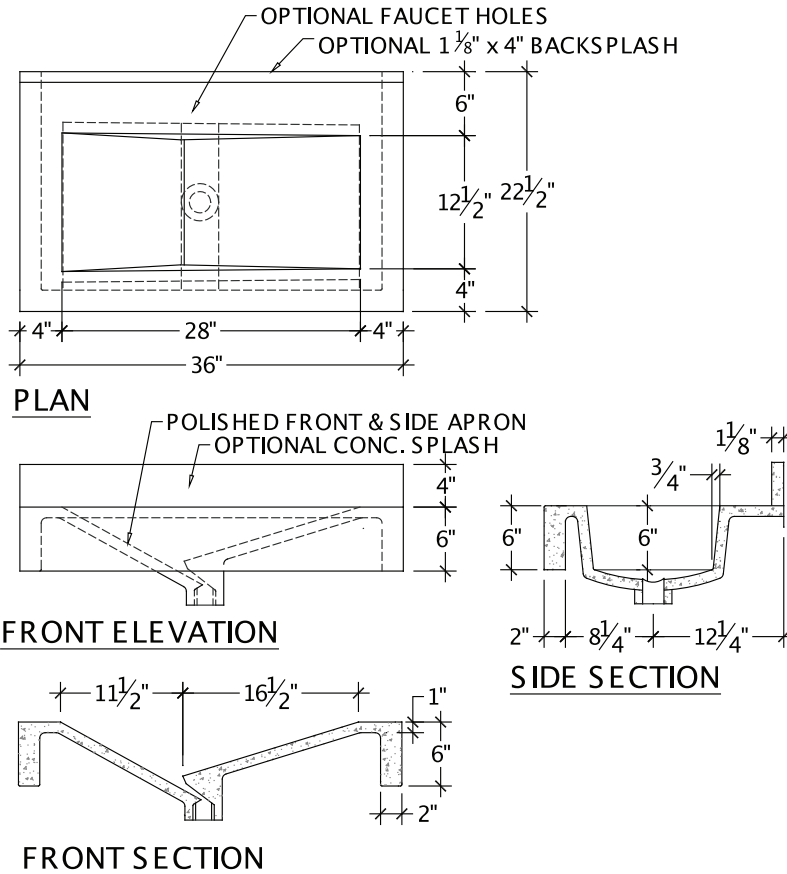
SONOMA CAST STONE CORPORATION
 Makers of NuCrete™, The World's Only Stainless Concrete
 877.283.1897 • www.sonomastone.com



For more product info, or to download replacement forms, see: www.sonomastone.com

P-Series WaterfallSink P-WFS

Sonoma Cast Stone offers optional stands of hardwood or powder-coated metal, hand-crafted and designed to complement our P-Series sinks. Sold separately.



Designs ©2009 Sonoma Cast Stone Corp. All rights reserved.

Visit www.sonomastone.com to see photos of this and other products.



• DESCRIPTION

Premiered at the Sunset Magazine Idea House, the WaterFallSink™ is like a center-sloping RampSink™ with overlapping ramp elements in a cast concrete countertop. Water flows from the deck or wall-mount faucet to the top ramp and then gently onto the lower ramp and into drain. Allows the insertion of a second color on the top Ramp as an option. Allows for constant drainage without soap build up or standing water areas. Slot drain replaces traditional drain assembly, so there is no visible hardware.

This unit rests on designed cabinetry or on one of our specially made hardwood or modern metal stands (p07-08).

The hardwood stands are available in smooth or distressed finish (stained or unstained options).

• FACTS

Classic Concrete (diamond-sanded, sealed & waxed) or Stainless Nucrete™. 24 standard colors. See: www.sonomastone.com, catalog or techbinder. Custom colors available. Order samples online, or call 877-283-2400 x113.

Optional Back Splash available. May be cabinet or wall-mounted.

Specially designed metal or wood stands sold separately.

Custom cabinets available. Faucet holes optional to your specification.

May use deck or wall-mount faucets.

The slot drain couples to conventional 1-1/4" drain assemblies.

For UPC (IAPMO) listing, see Appendix, p08-10.

Approximate Weight: 200 Lbs / 335 Lbs Crated (not including optional stand)

TECHBINDER 070201 / STANDARD PRODUCTS / PAGE 06

SEE WWW.SONOMASTONE.COM FOR PHOTOS AND ADDITIONAL INFORMATION ON THIS PRODUCT



STANDARD PRODUCTS

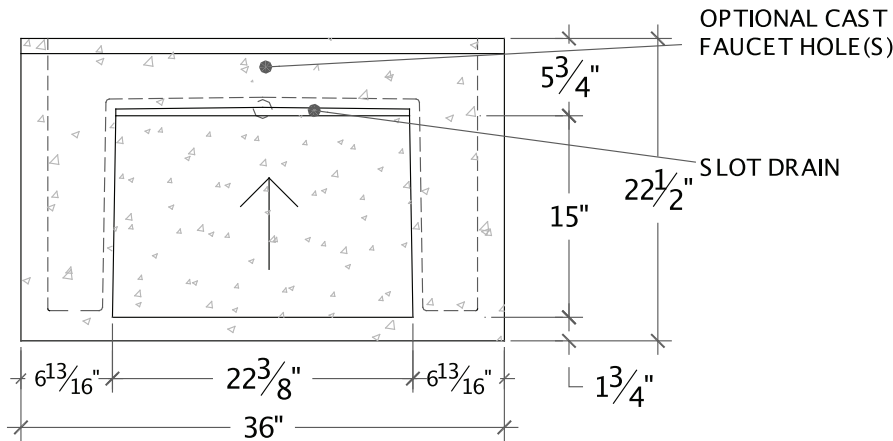
SONOMA CAST STONE CORPORATION
 Makers of NuCrete™, The World's Only Stainless Concrete
 877.283.1897 • www.sonomastone.com



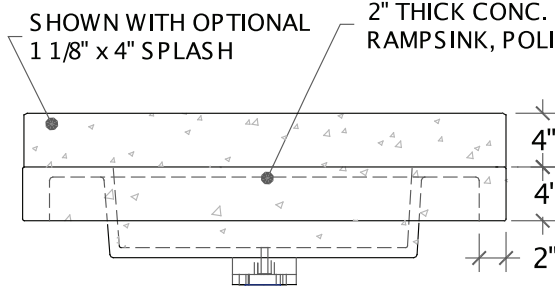
For more product info, or to download replacement forms, see: www.sonomastone.com

P-Series RampSink P-RMP

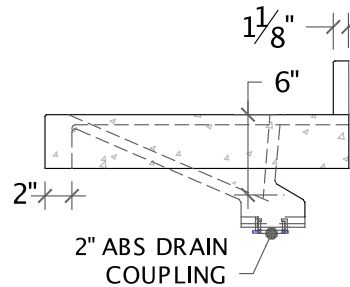
Sonoma Cast Stone offers optional stands of hardwood or powder-coated metal, hand-crafted and designed to complement our P-Series sinks. Sold separately.



PLAN



FRONT ELEVATION



SIDE ELEVATION

Designs ©2009 Sonoma Cast Stone Corp. All rights reserved.

Visit www.sonomastone.com to see photos of this and other products.



• DESCRIPTION

Standard integral Single RampSink™ with surrounding counter space. Hidden slot drain replaces a traditional drain assembly. Molds are in stock and ready to pour upon color selection and faucet placement instructions. This unit rests on designed cabinetry or on one of our specially made hardwood or modern metal stands (p07-08). The hardwood stands are available in smooth or distressed finish (stained or unstained options). Also available in a Standard Double-wide RampSink™ for master bath vanity size (p16). The RampSink™ is our most flexible design. The design can be modified in many ways for custom pieces. The “ramp” may slope sideways, from back to front or two ramps may overlap each other. This design is especially adaptable for commercial applications. Custom sizes are available.

Production time 4-5 weeks.

• FACTS

Classic Concrete (diamond-sanded, sealed & waxed) or Stainless Nucrete™. 24 standard colors. See: www.sonomastone.com, catalog or techbinder. Custom colors available. Order samples online, or call 877-283-2400 x113.

Optional Back Splash available. May be cabinet or wall-mounted.

Specially designed metal or wood stands sold separately.

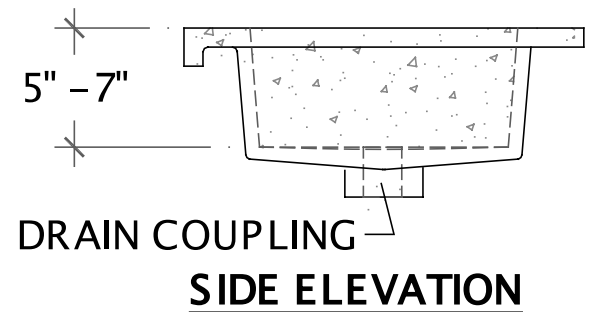
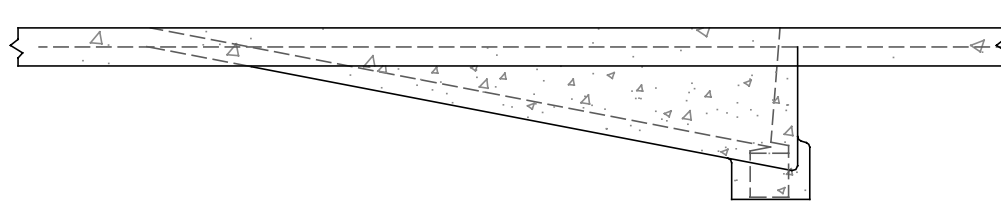
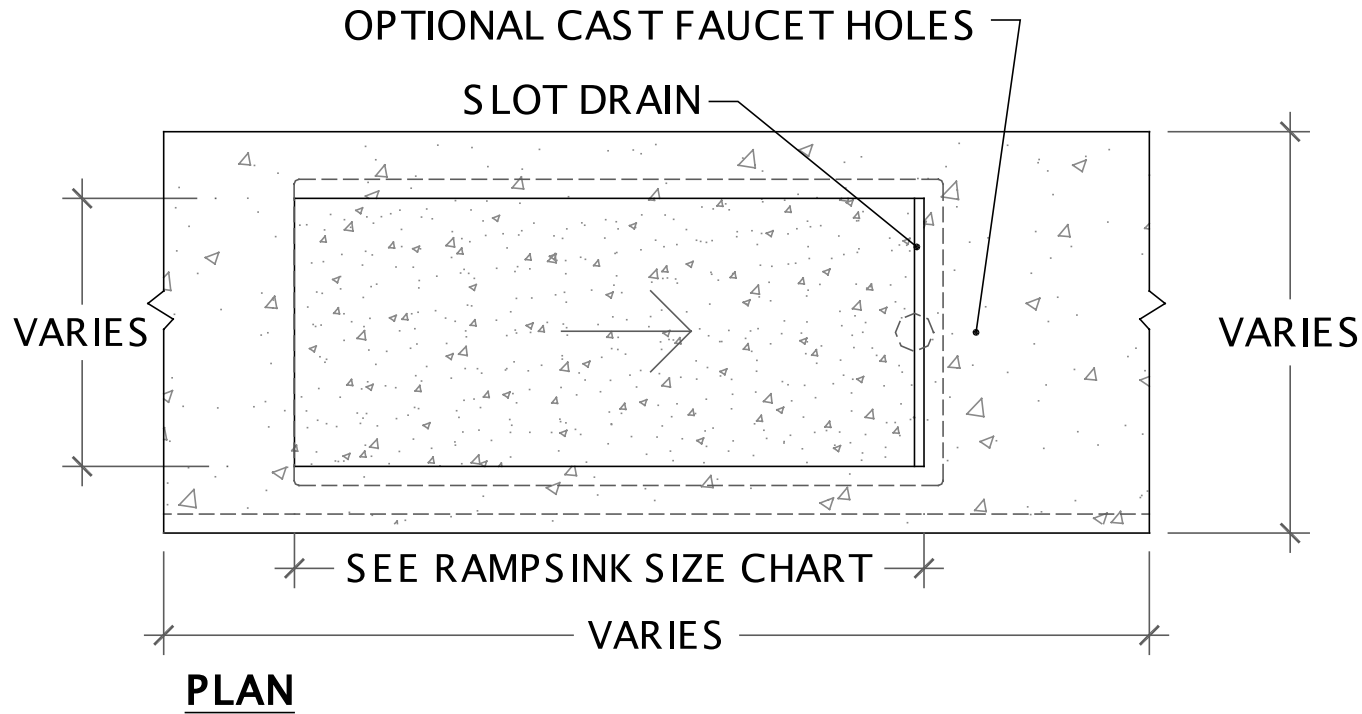
Custom cabinets available. Faucet holes optional to your specification. May use deck or wall-mount faucets.

The slot drain couples to conventional 1-1/4” drain assemblies.

For UPC (IAPMO) listing, see Appendix, p08-10.

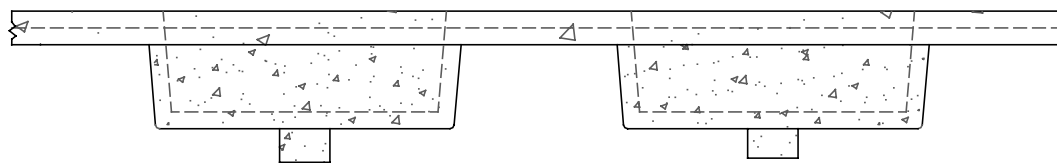
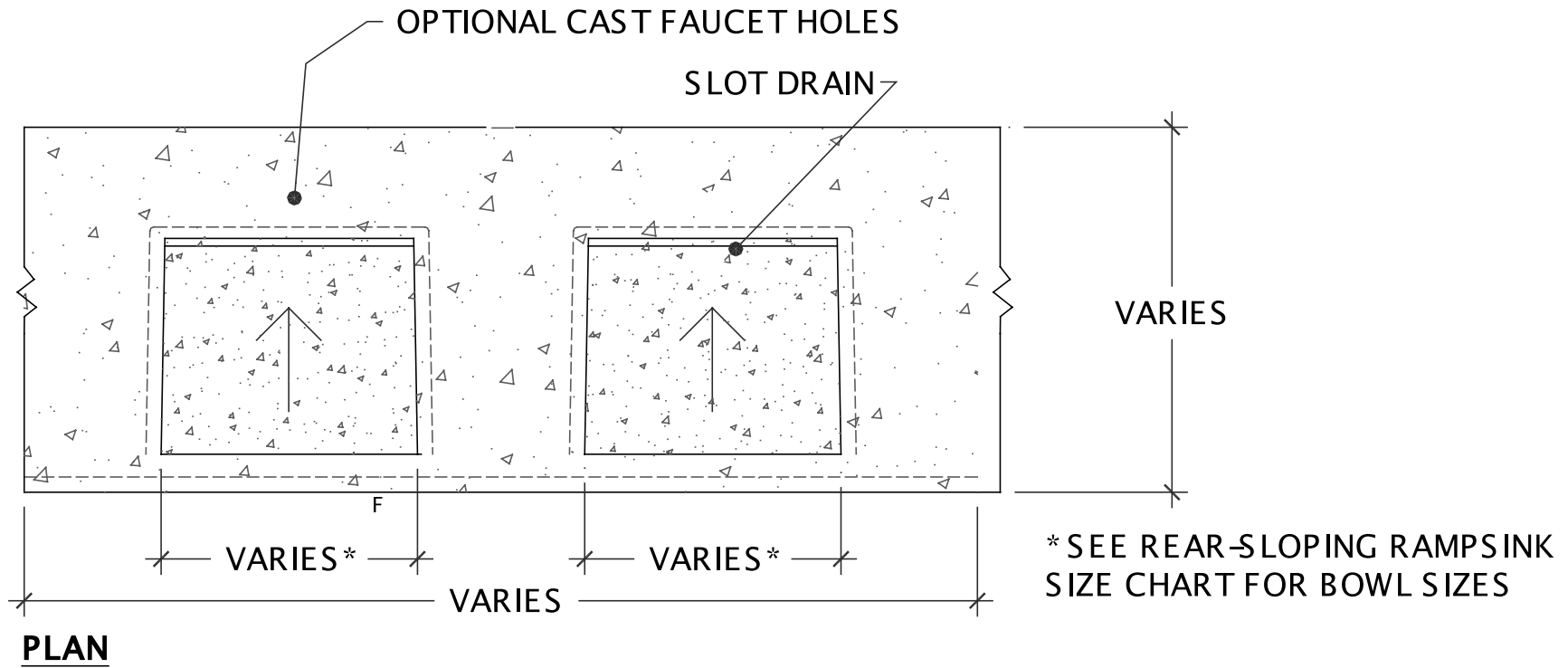
Approximate Weight: 200 lbs / Crated 335 lbs (not including optional stand)

INTEGRAL RAMP - SIDE - EXAMPLE - RMP-3314-R-L

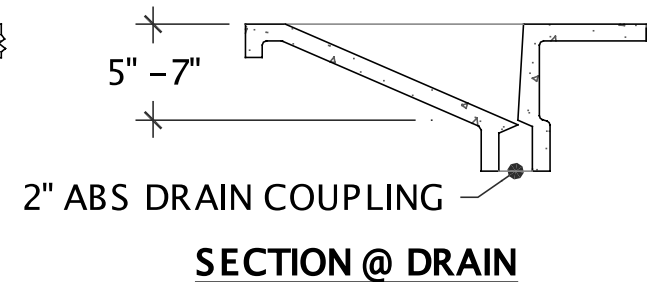


EXAMPLE - RMP-3314-R RAMPSINK IN CUSTOM COUNTERTOP

INTEGRAL RAMP - REAR - EXAMPLE - RMP-1714-B X2



FRONT ELEVATION



EXAMPLE - TWO INTEGRAL RMP-1714-B RAMPSINKS
IN CUSTOM COUNTERTOP

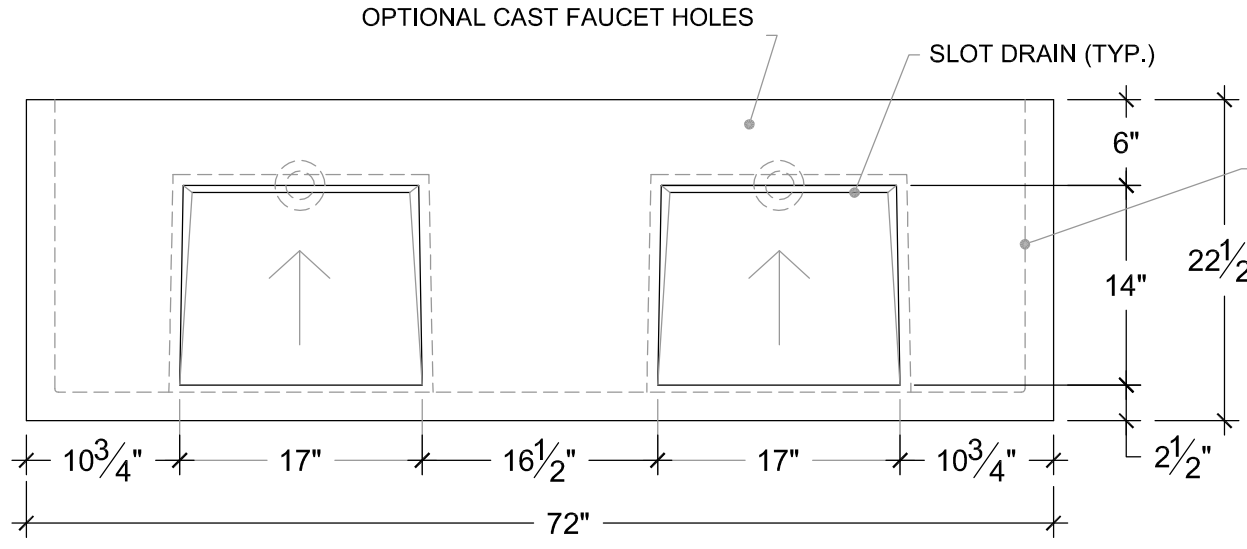


SONOMA CAST STONE CORPORATION
 133 COPELAND STREET PETALUMA, CA 94952
 707-283-1888
 FAX 707-283-1899

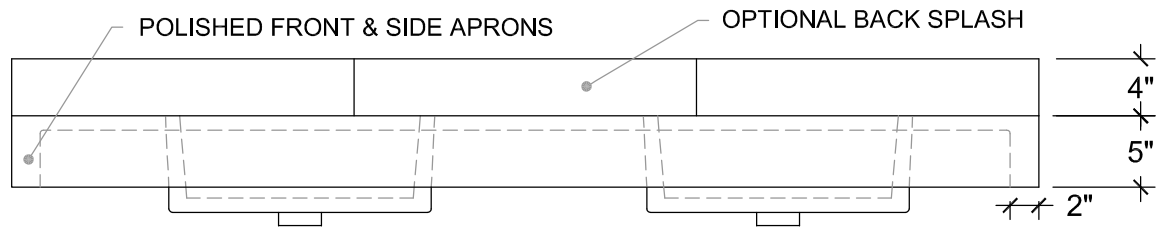
RMP-RES-DBL

ESTIMATE #	DATE : 2/24/2010
EST. REVISION #	DWG REVISION #

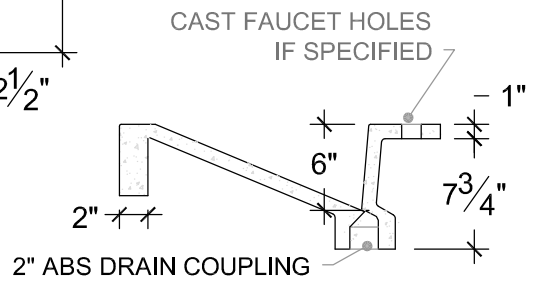
SHEET #	DRAWN BY: CF
---------	--------------



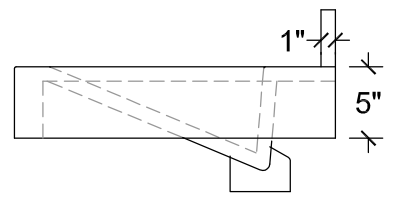
PLAN



FRONT ELEVATION



SECTION



SIDE ELEVATION

REAR SLOPING MODELS

MODEL #	LENGTH	WIDTH	DEPTH	FAUCETS
RMP-1015-B	9 3/4"	15"	5 3/4"	1
RMP-1018-B	10"	18"	6"	1
RMP-1115-B*	11"	15"	6"	1
RMP-1212-B	12"	12"	4 1/2"	1
RMP-1514-B	14 1/2"	13 1/2"	6"	1
RMP-1518-B	15"	18"	5 3/4"	1
RMP-1612-B	16"	12"	5"	1
RMP-1614-B*	16"	14"	5 3/4"	1
RMP-1714-B*	17"	14"	5 3/4"	1
RMP-1817-B*	18 1/8"	17"	6 1/2"	1
RMP-1915-B*	19"	15"	6"	1
RMP-2010-B*	20"	10"	5 1/2"	1
RMP-2215-B*	22 1/2"	15"	6"	1
RMP-2412-B	24"	12"	6"	1
RMP-2415-B*	24"	14 3/4"	5"	1
RMP-2915-B	29 3/4"	15"	6 3/4"	1
RMP-3615-B*	36 3/8"	15 1/4"	6 1/8"	1-2
RMP-3815-B	38"	15"	6"	2
RMP-4015-B	40"	15"	6"	2
RMP-4413-B*	44 3/8"	13 1/2"	6"	2
RMP-4715-B*	47 1/4"	15"	6 3/8"	2
RMP-5215-B*	52"	15"	6 3/4"	2
RMP-5415-B*	53 5/8"	15 1/8"	6"	2
RMP-6516-B*	65"	16"	6 3/4"	2-3
RMP-6612-B* °	66"	12"	5 1/4"	2-3
RMP-6810-B	67 7/8"	10"	5 1/2"	2-3
RMP-6812-B	67 7/8"	12"	5 1/2"	2-3
RMP-7115-B °	71 1/2"	15"	6 3/4"	2-3
RMP-7315-B °	73"	15"	6 3/4"	3-4
RMP-7412-B* °	74"	12"	5 1/4"	3-4
RMP-8115-B °	81 1/2"	15 1/2"	7"	3-4
RMP-9015-B * °	89 3/4"	15"	5 5/8"	3-4

* Available as multi-sink vanities.

° Two drain outlets on these models.



SONOMA CAST STONE
CONCRETE INNOVATIONS

SONOMA CAST STONE / 877.283.2400

RAMPSINK SIZES

Visit www.sonomastone.com to see photos.
Designs ©2013 Sonoma Cast Stone Corp. All rights reserved.

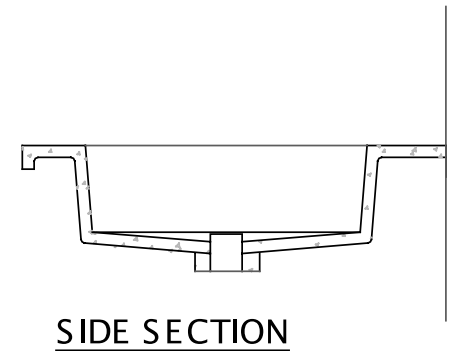
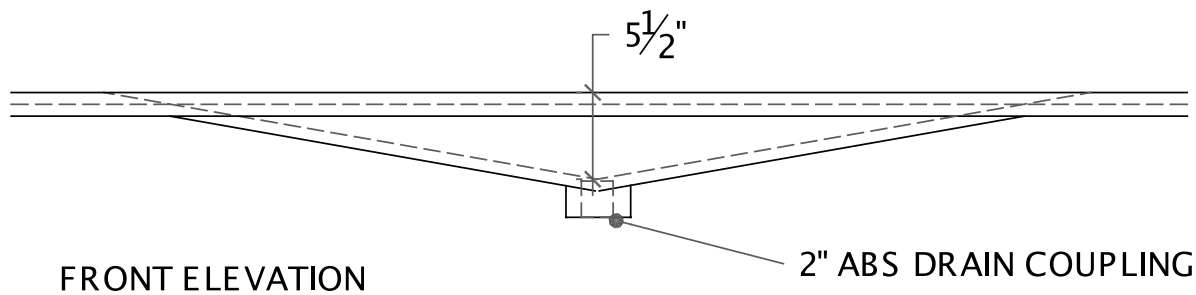
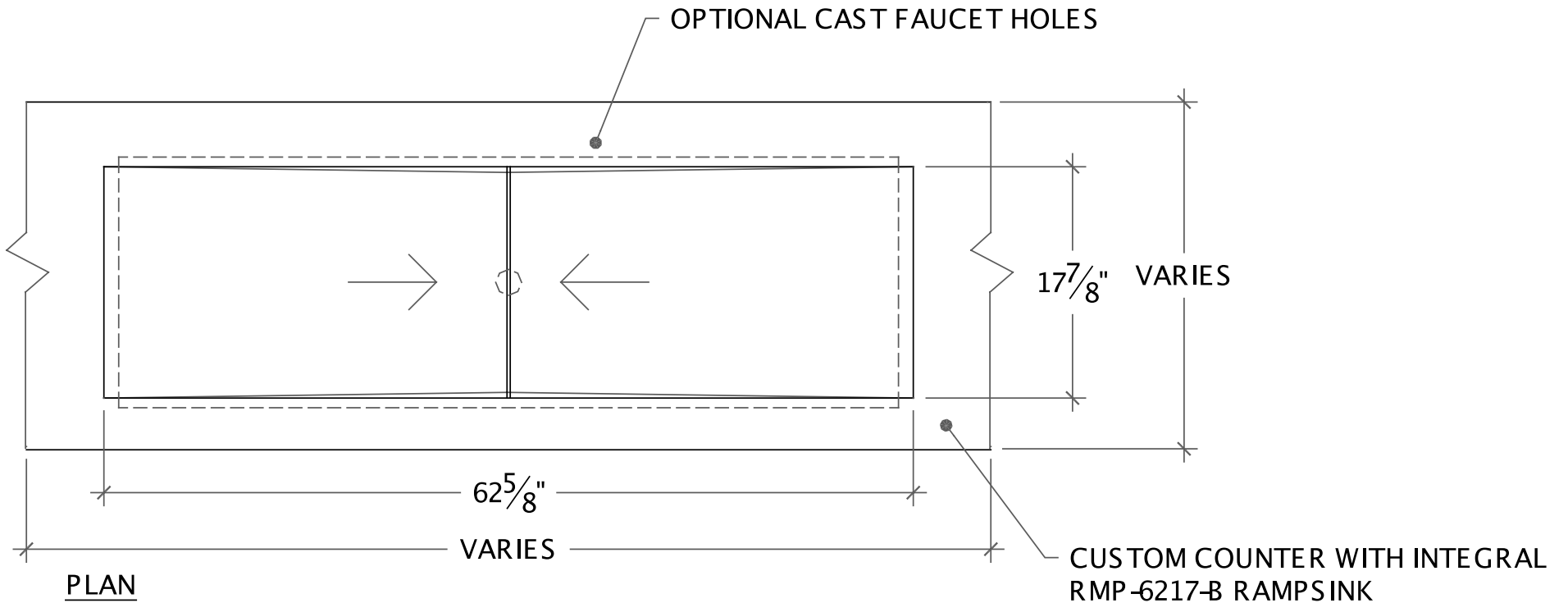
SIDE SLOPING MODELS

MODEL #	LENGTH	WIDTH	DEPTH	FAUCETS	SLOPES TO
RMP-1416-R/L	14"	16"	5 3/4"	1	Right or Left
RMP-1417-R/L*	14"	17"	5 3/4"	1	Right or Left
RMP-1510-R/L	15"	9 3/4"	5 3/4"	1	Right or Left
RMP-1519-R/L*	15"	19"	6"	1	Right or Left
RMP-1718-R/L*	17"	18 1/8"	6 1/2"	1	Right or Left
RMP-1810-R/L	18"	10"	6"	1	Right or Left
RMP-1815-R/L	18"	15"	5 3/4"	1	Right or Left
RMP-2310-R/L	23"	10"	4 1/2"	1	Right or Left
RMP-2809-R/L	28"	9 1/4"	6"	1	Right or Left
RMP-3014-R/L	30"	14 1/8"	6 1/8"	1	Right or Left
RMP-3021-R-SK	30 1/4"	21 1/2"-10 5/8"	6"	1	Right End
RMP-3021-L-SK	30 1/4"	21 1/2"-10 5/8"	6"	1	Left End
RMP-3314-R/L	33"	14"	6 1/4"	1	Right or Left
RMP-3614-R/L	36"	14"	6 1/2"	1	Right or Left
RMP-4013-R/L	40"	13"	6 1/4"	1	Right or Left
RMP-4114-R/L	41 3/8"	14 1/2"	6 1/4"	1	Right or Left
RMP-4612-R/L	46 1/4"	12"	4"	1	Right or Left
RMP-4616-R/L	46"	16 5/8"	6 1/2"	1	Right or Left
RMP-5512-R/L	55"	12"	6"	1	Right or Left

CENTER SLOPING MODELS

MODEL #	LENGTH	WIDTH	DEPTH	FAUCETS	SLOPES TO
RMP-1410-M	14 1/4"	10 1/2"	4 1/4"	1	CENTER
RMP-1612-M	15 1/2"	11 3/4"	5"	1	CENTER
WF-2813-M	28"	13"	6"	1	OFF-CENTER
RMP-3313-M	33"	13"	9 1/2"	1	OFF-CENTER
RMP-4844-M	48"	44 1/4"	6"	2	CENTER
RMP-6217-M	62 5/8"	17 7/8"	5 1/2"	2	CENTER

INTEGRAL RAMP - CTR - EXAMPLE - RMP-6217-M



EXAMPLE OF CENTER-SLOPING RAMPSINK