



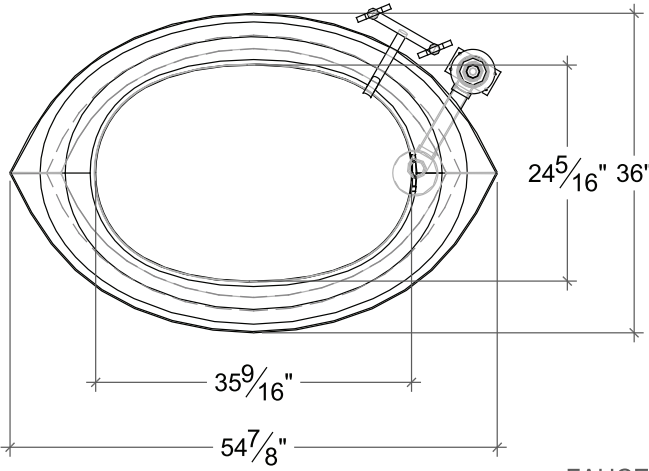
# STANDARD PRODUCTS

SONOMA CAST STONE CORPORATION  
 Makers of NuCrete™, The World's Only Stainless Concrete  
 877.283.1897 • www.sonomastone.com

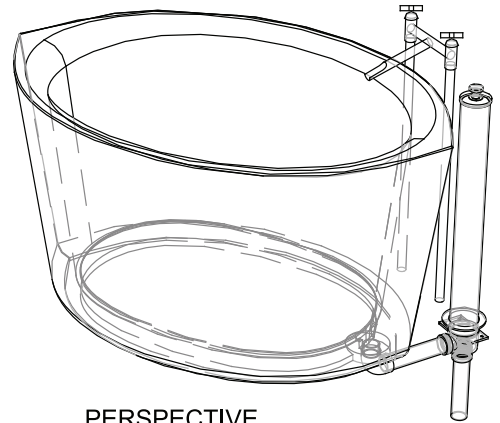


For more product info, or to download replacement forms, see: [www.sonomastone.com](http://www.sonomastone.com)

## Ofuro Japanese Soaking Tub OFURO

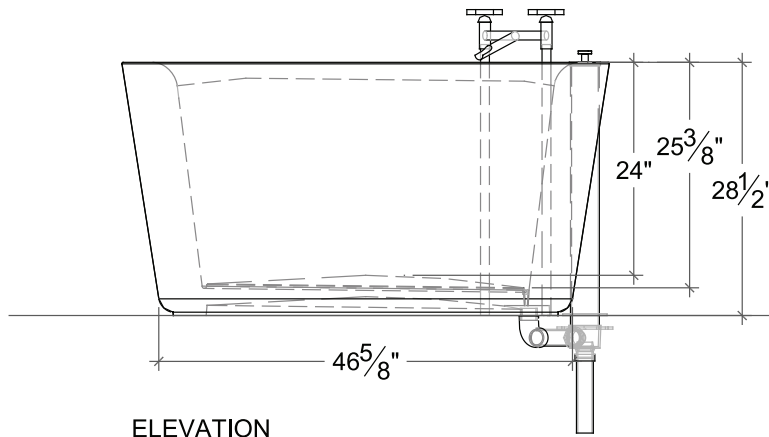


PLAN

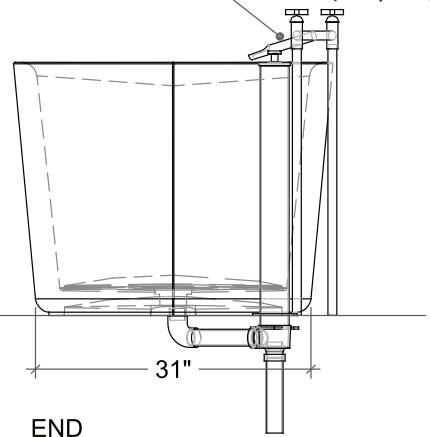


PERSPECTIVE

FAUCET & OVERFLOW/ DRAIN OPTIONAL BY SONOMA FORGE  
[WWW.SONOMAFORGE.COM](http://WWW.SONOMAFORGE.COM)  
 For remodel applications, platform framing may be necessary to accommodate plumbing. capacity: 70 gallons



ELEVATION



END

Designs ©2007 Sonoma Cast Stone Corp. All rights reserved.

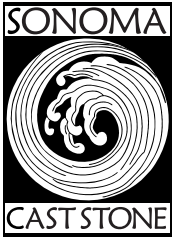
Visit [www.sonomastone.com](http://www.sonomastone.com) to see photos of this and other products.



### • DESCRIPTION • FACTS

The Ofuro is a Japanese-style soaking tub designed for one. This beautiful stand alone tub has been called more of a piece of sculpture than a bathtub. An optional heating element can be embedded into the concrete to insure an even and constantly warm surface that will maintain the hot water until all of your daily woes are forgotten. The heating option includes a programmable timer that will control both the times and temperature of the tub surface. This 865 lb tub requires careful planning with an architect or structural engineer. Primarily designed for new construction, however, retrofit options are possible. An installation brochure should be requested and studied to insure that proper plumbing and electrical connections are in the proper placement before the floor is constructed. Sonoma Forge has designed a tub filler and a combination drain and overflow assembly to match this tub.

24 standard colors. See: [www.sonomastone.com](http://www.sonomastone.com), catalog or techbinder. Custom colors available. Order samples online, or call 877-283-2400 x113.  
 Requires separate tub filler (wall or floor-mounted to side) for pre-mixed water with remote mixing valve (from Sonoma Forge and others). 70 gallon capacity. Tub may be floor-mounted or on pedestal (raised floor) in remodel applications. The slot drain couple to conventional 1 1/2" drain assemblies. 1-1/2" diameter ABS pipe stub-out included. 1-1/2" drain pipe must be accompanied with remote overflow & drain assembly (available from Sonoma Forge and others). Drain is best accomplished before floor is poured and completed. Perimeter drain replaces traditional drain assembly so there is no visible hardware.  
 For UPC (IAPMO) listing, see Appendix, p08-10.  
 Approximate Weight: 860 lbs / Crated 1,300 lbs



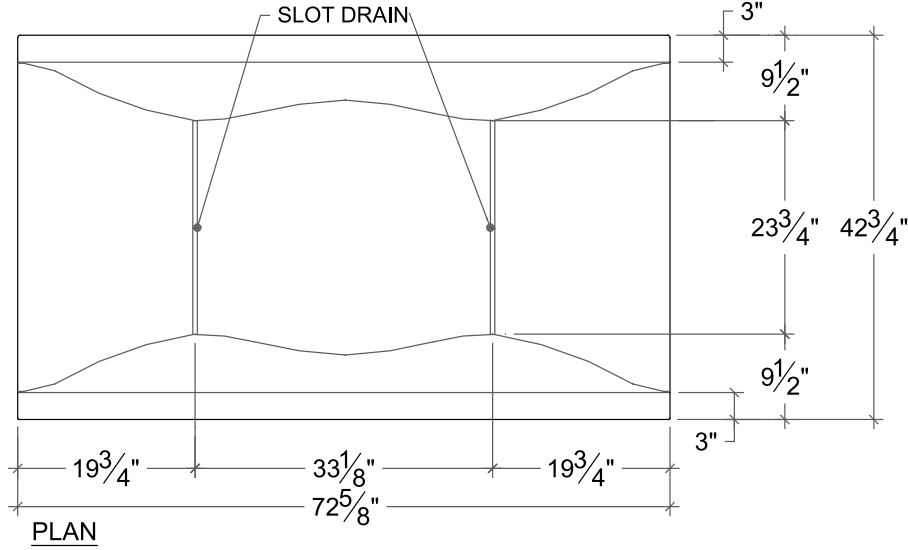
# STANDARD PRODUCTS

SONOMA CAST STONE CORPORATION  
 Makers of NuCrete™, The World's Only Stainless Concrete  
 877.283.2400 • www.sonomastone.com

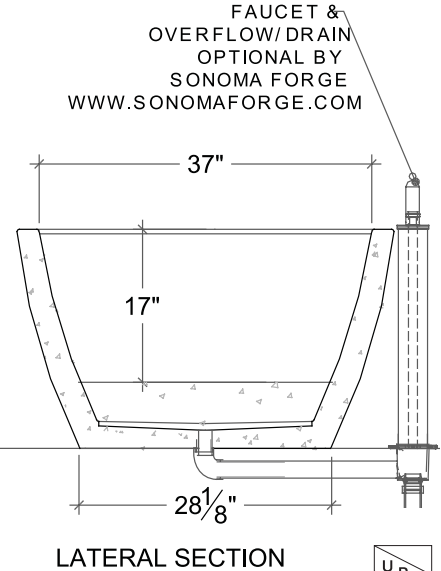
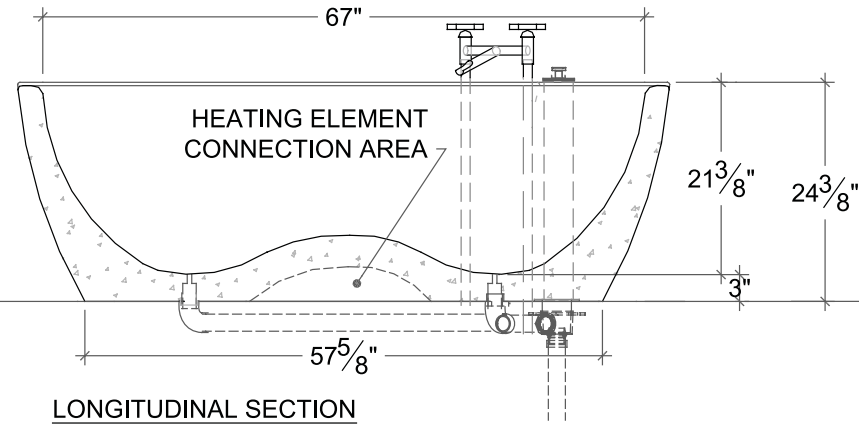


For more product info, or to download replacement forms, see: [www.sonomastone.com](http://www.sonomastone.com)

## DoubleWaveTub WV-TUB-DB



For remodel applications, platform framing may be necessary to accommodate plumbing. capacity: 130 gallons



Designs ©2007 Sonoma Cast Stone Corp. All rights reserved.

Visit [www.sonomastone.com](http://www.sonomastone.com) to see photos of this and other products.



### DESCRIPTION

Any body... and everybody can find the exact "right position" in this contoured double WaveTub. This beautiful stand alone tub has been called more of a piece of sculpture than a bathtub. An optional heating element can be embedded into the concrete to insure an even and constantly warm surface that will maintain the hot water until all of your daily woes are forgotten. The heating option includes a programmable timer that will control both the times and temperature of the tub surface. This large 1800 lb tub requires careful planning with an architect or structural engineer. Primarily designed for new construction, however, retrofit options are possible. An installation brochure should be requested and studied to insure that proper plumbing and electrical connections are in the proper placement before the floor is constructed.

Sonoma Forge has designed a tub filler and a combination drain and overflow assembly to match this tub.

### FACTS

Classic Concrete (diamond-sanded, sealed & waxed) or Stainless Nucrete™. 24 standard colors. See: [www.sonomastone.com](http://www.sonomastone.com), catalog or techbinder. Custom colors available. Order samples online, or call 877-283-2400 x113.

Tub may be floor-mounted or on pedestal (raised floor) in remodel applications. 130 gallon capacity.

The slot drain couples to conventional 1-1/2" drain assemblies. 1-1/2" diameter ABS pipe stub-out included. 1-1/2" drain pipe must be accompanied with remote overflow & drain assembly (available from Sonoma Forge and others). Drain is best accomplished before floor is poured and completed.

For UPC (IAPMO) listing, see Appendix, p08-10.

Approximate Weight: 1,800 lbs / Crated 2,400 lbs

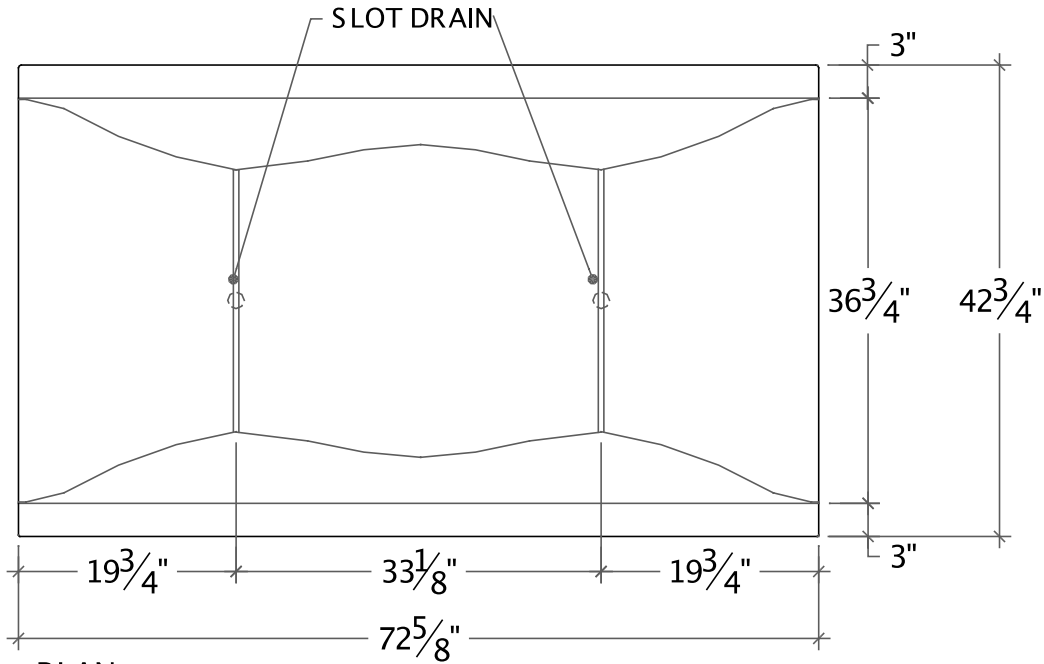


SONOMA CAST STONE / 877.283.2400

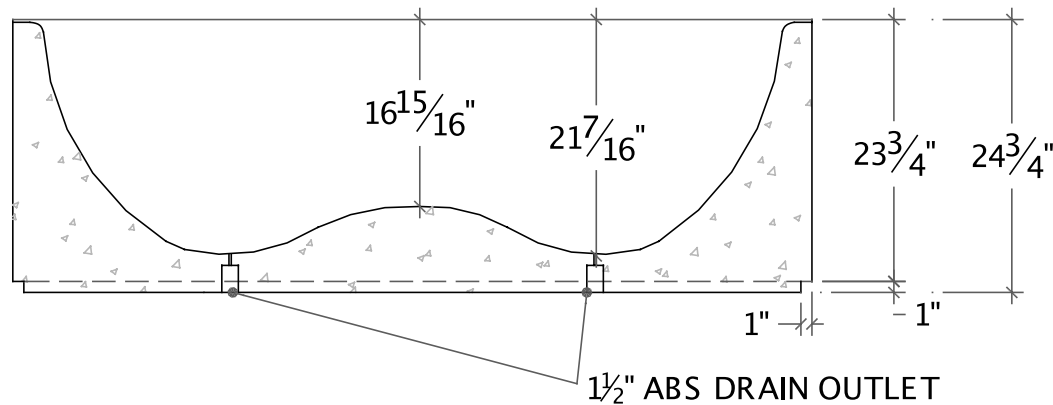
# STANDARD PRODUCTS

Visit [www.sonomastone.com](http://www.sonomastone.com) to see photos.  
Designs ©2009 Sonoma Cast Stone Corp. All rights reserved.

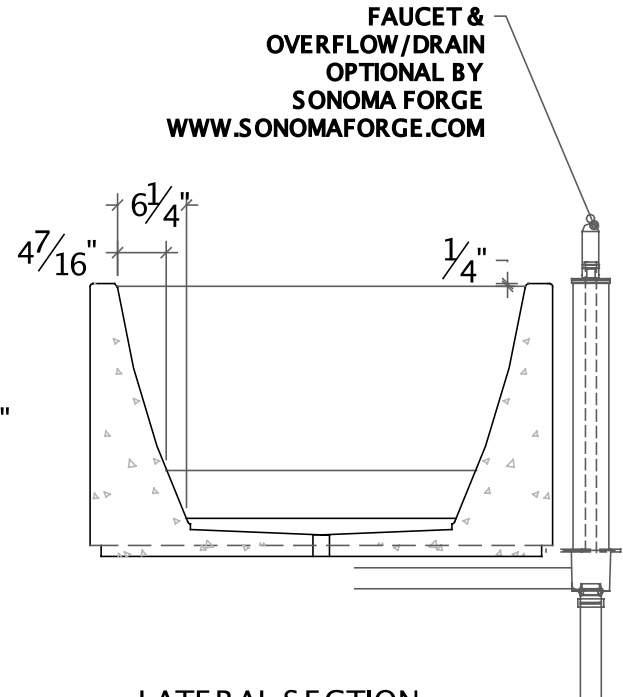
## MODEL: CUBIST WAVETUB



PLAN



LONGITUDINAL SECTION



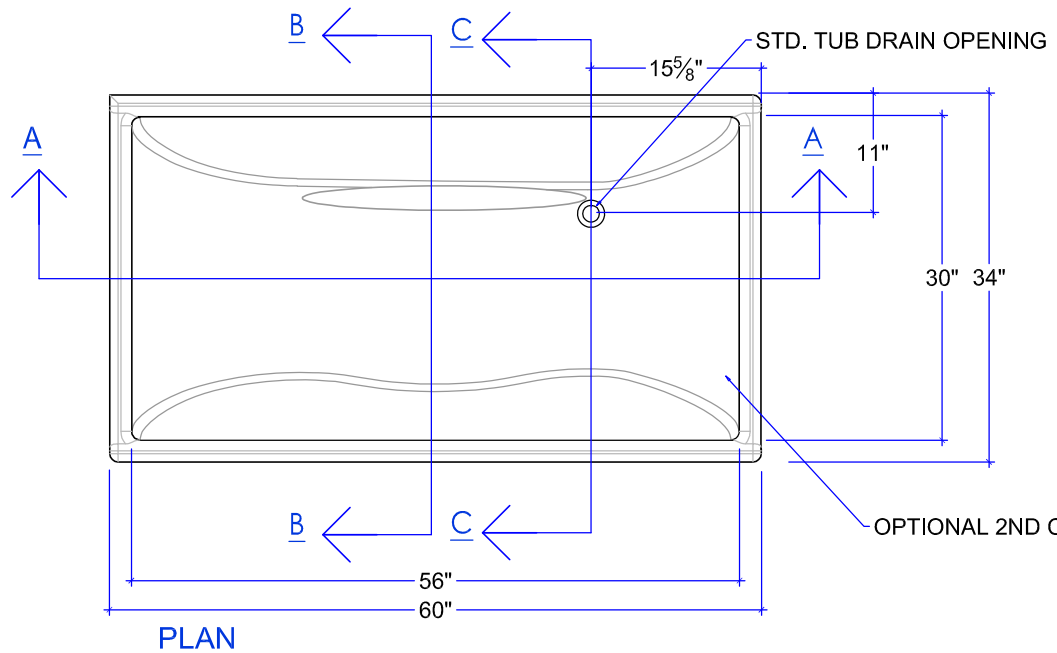
LATERAL SECTION



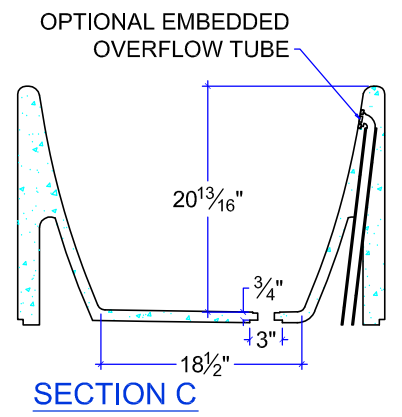
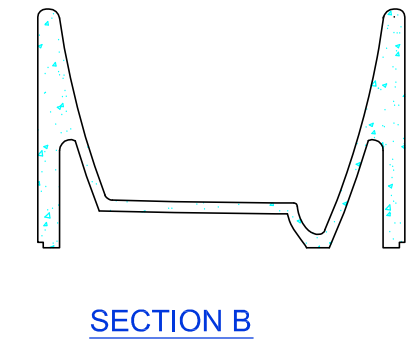
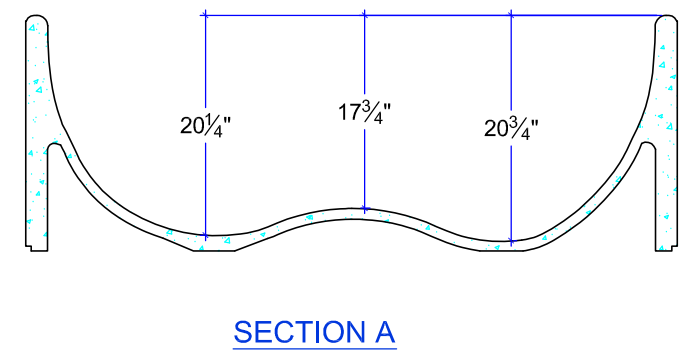
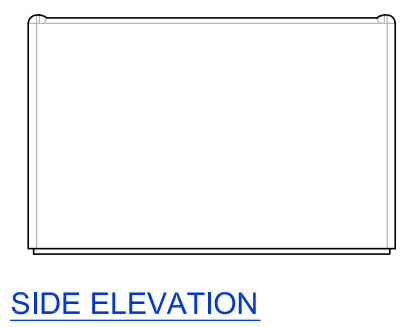
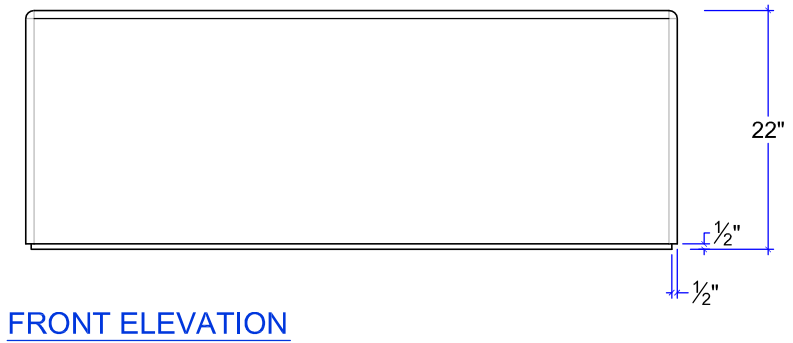
**SONOMA CAST STONE CORPORATION**  
 133 COPELAND STREET PETALUMA, CA 94952  
 707-283-1888  
 FAX 707-283-1899

**INDULGE BATHTUB, "URBAN" EXTERIOR**

DATE : 8/16/2011 DRAWN BY: CF



**CAPACITY: 95 GALLONS**  
**APPROXIMATE DRY WEIGHT: 950LB.**



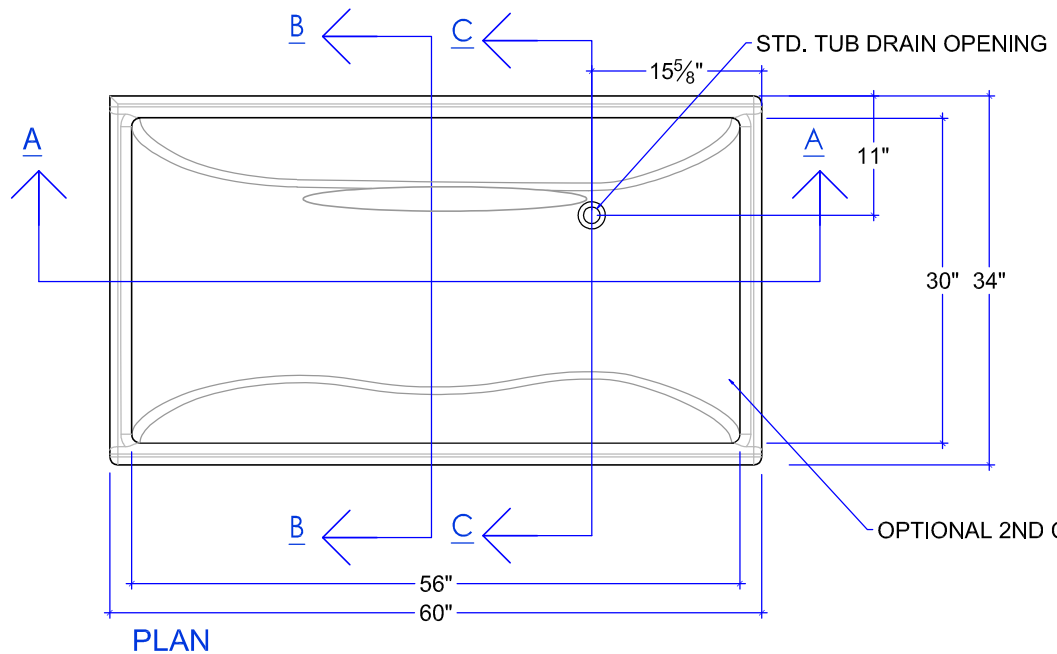


**SONOMA CAST STONE CORPORATION**  
 133 COPELAND STREET PETALUMA, CA 94952  
 707-283-1888  
 FAX 707-283-1899

**INDULGE BATHTUB, STD. EXTERIOR**

DATE : 8/16/2011

DRAWN BY: CF



**CAPACITY: 95 GALLONS**  
**APPROXIMATE DRY WEIGHT: 950LB.**

