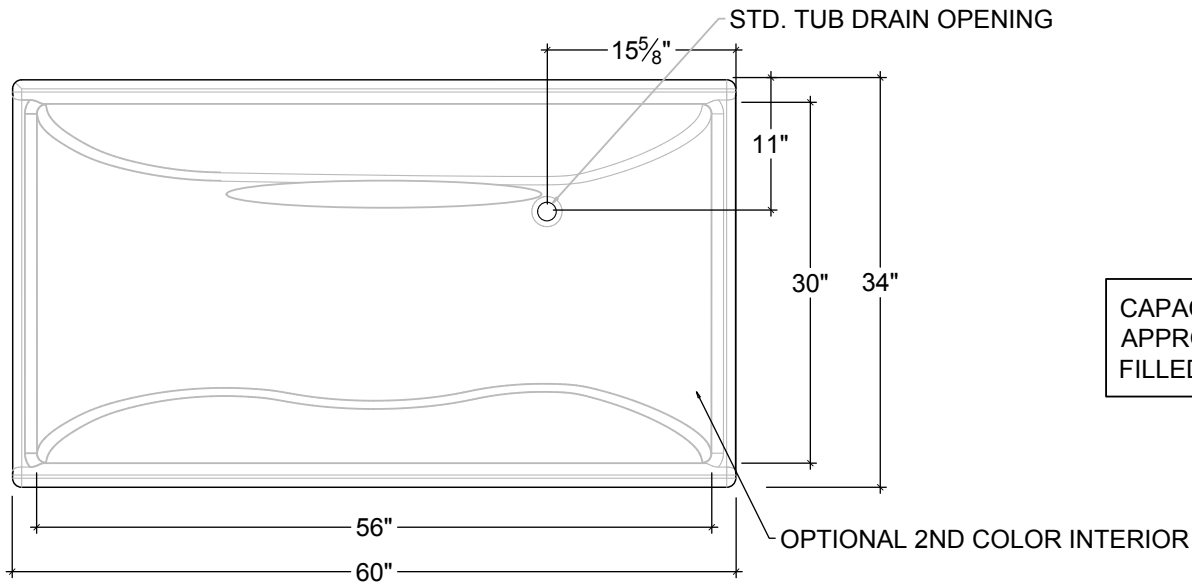


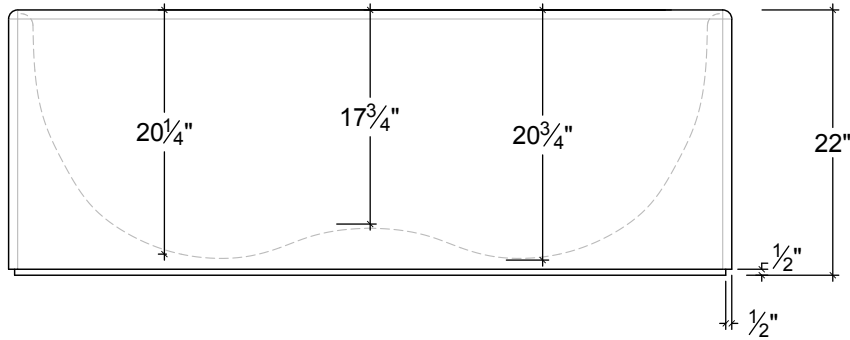
URBAN INDULGE SOAKING TUB

70 GALLONS

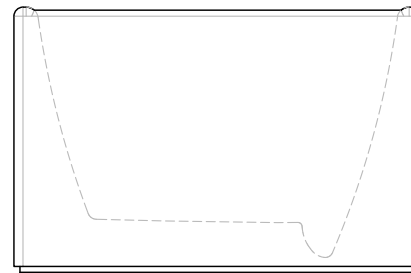


CAPACITY: 85 GALLONS
 APPROXIMATE DRY WEIGHT: 1,580LB.
 FILLED WEIGHT: 2,260

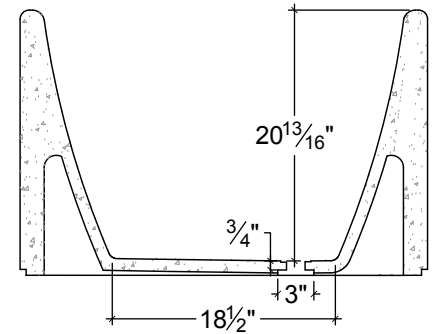
PLAN



FRONT ELEVATION



SIDE ELEVATION



SECTION @ DRAIN

© 2019 SONOMA CAST STONE CORPORATION



SONOMA CAST STONE
 CONCRETE INNOVATIONS

