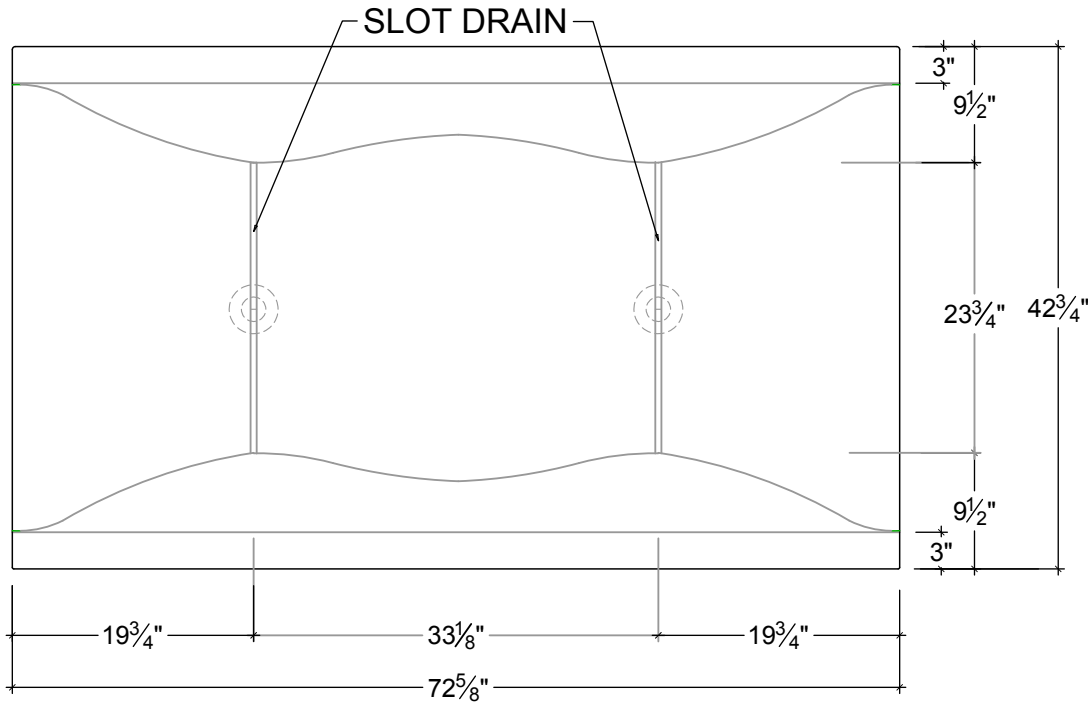


# URBAN SOAKING TUB

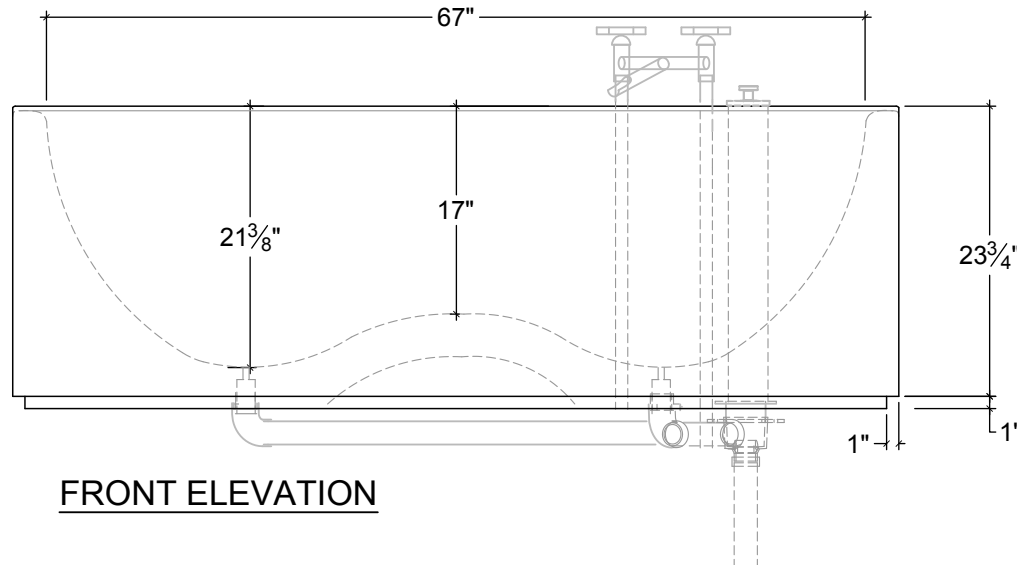
130 GALLONS

SONOMA CAST STONE  
CONCRETE INNOVATIONS



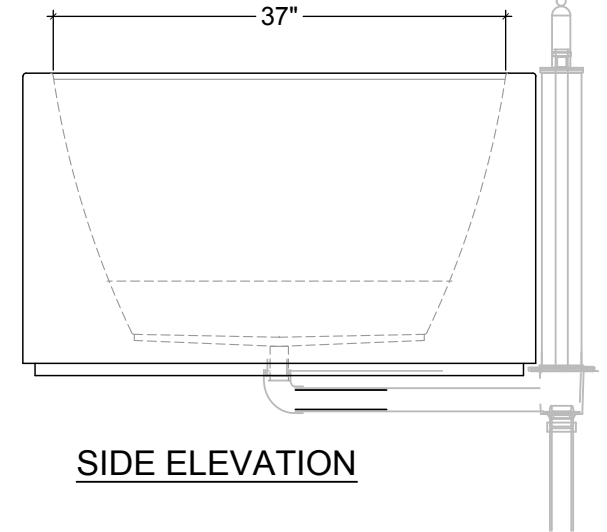
PLAN

CAPACITY: 130 GALLONS  
APPROXIMATE DRY WEIGHT: 2,300LB  
FILLED WEIGHT: 3,340LB



FRONT ELEVATION

FAUCET & OVERFLOW/  
DRAIN OPTIONAL  
BY SONOMA FORGE  
WWW.SONOMAFORGE.COM



SIDE ELEVATION

