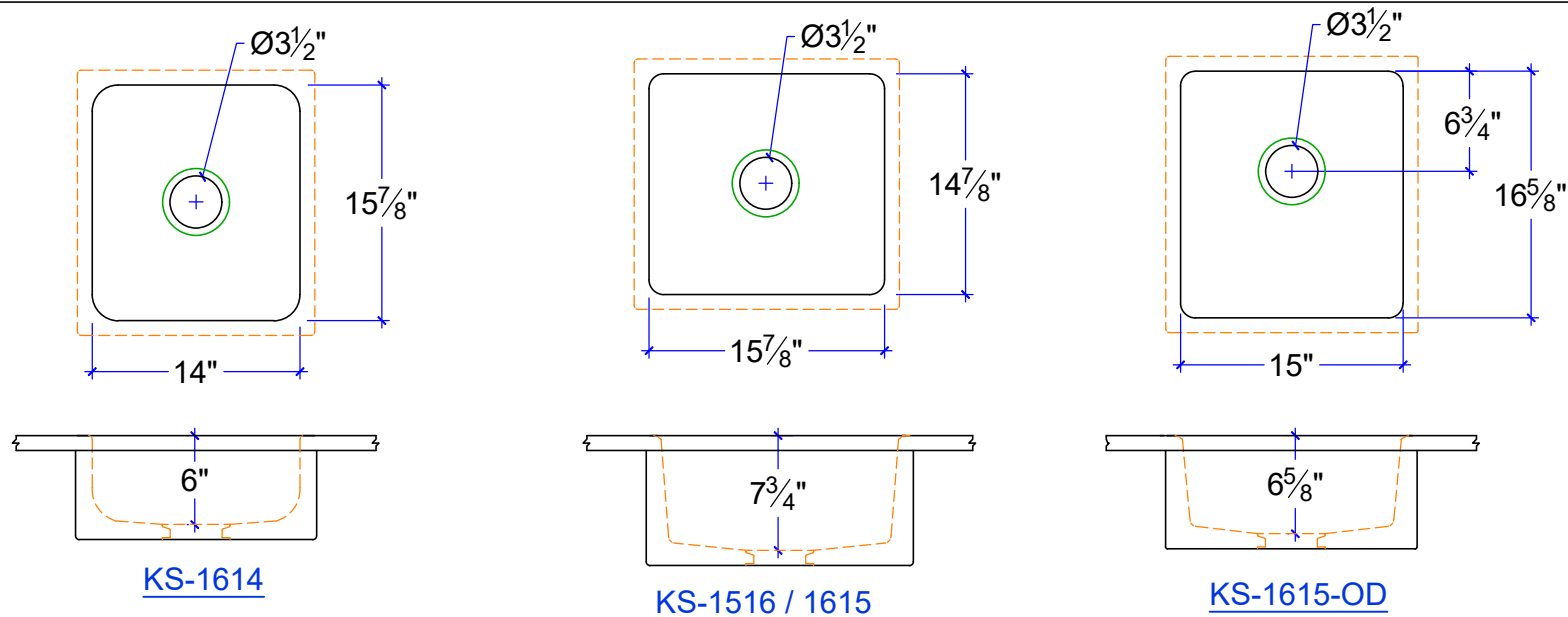
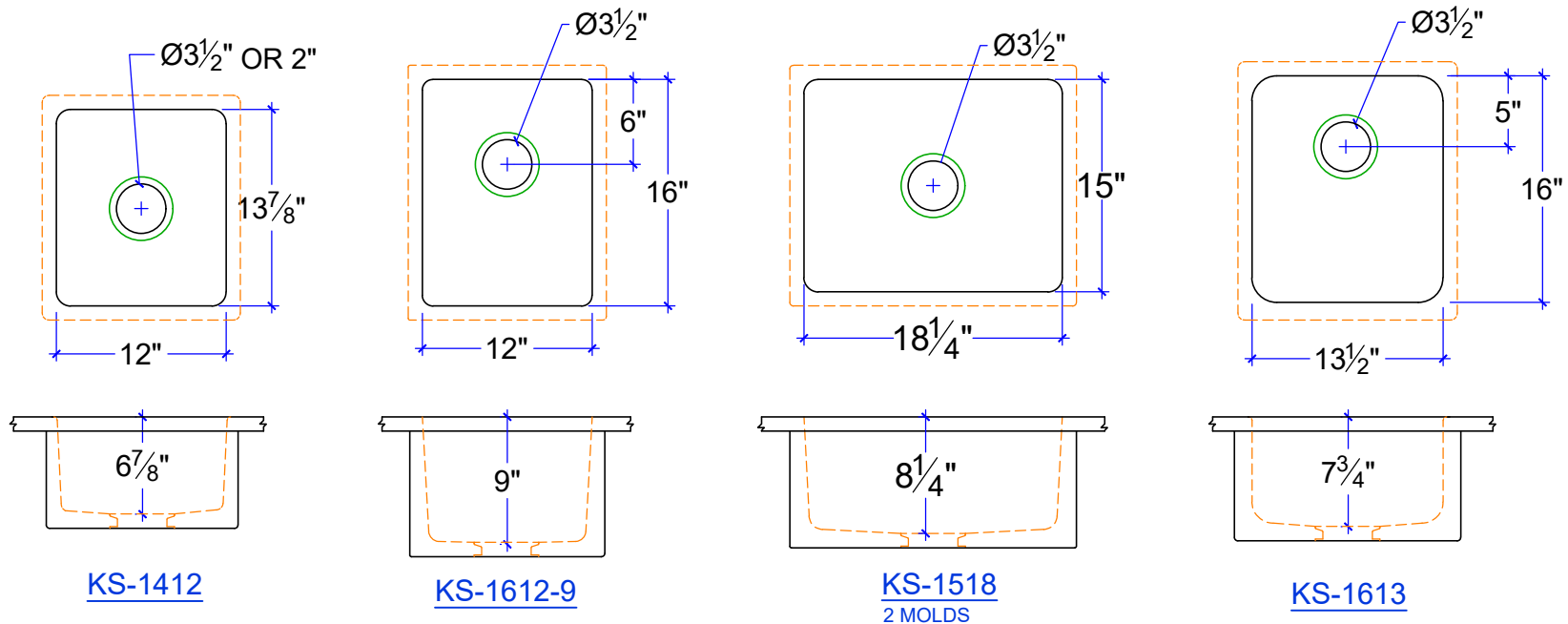


BAR/ PREP SINKS, RECTANGULAR INTEGRAL



NOTE: ALL BASINS MAY ALSO BE PRODUCED AS UNDERMOUNTS IN SEPARATE COUNTER, OR AS COUNTERTOP VESSELS



BAR/ PREP SINKS, RECTANGULAR INTEGRAL
 CUSTOM SIZE COUNTERTOP WITH FIXED SIZE BASIN
 DIMENSIONS ARE INSIDE SINK



IAPMO Certificate of Listing #4816

(877)283-2400
 www.sonomastone.com
 sales@sonomastone.com
 All rights reserved