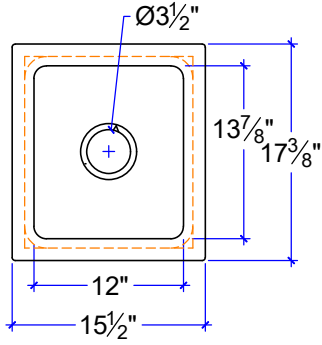
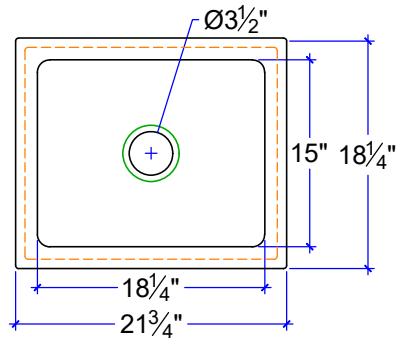


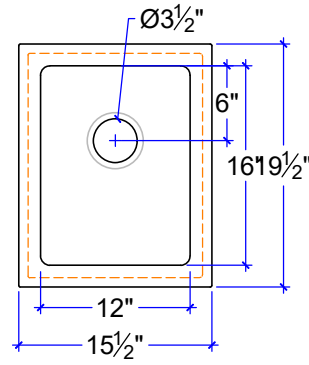
BAR/ PREP SINKS, UNDERMOUNT



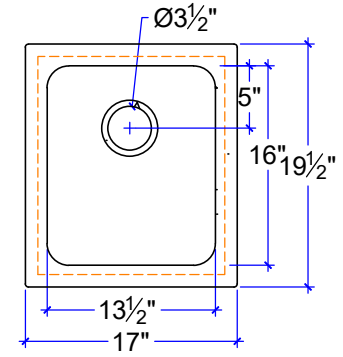
FS-1412



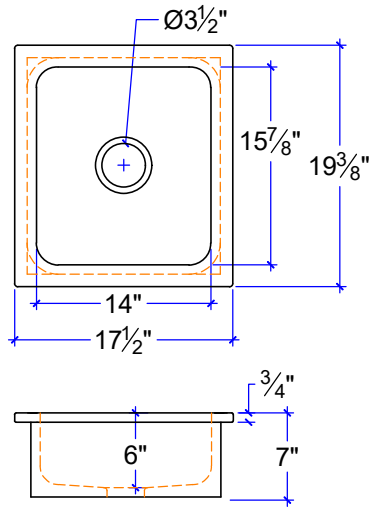
KS-1518
2 MOLDS



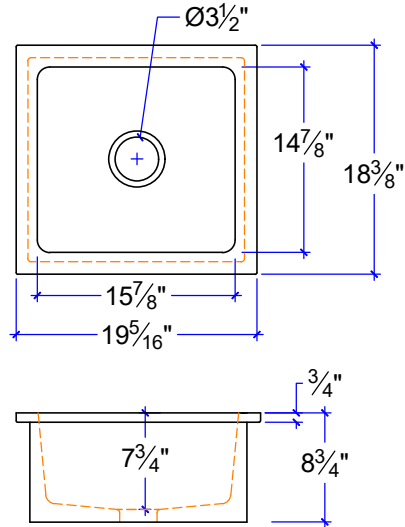
FS-1612-9



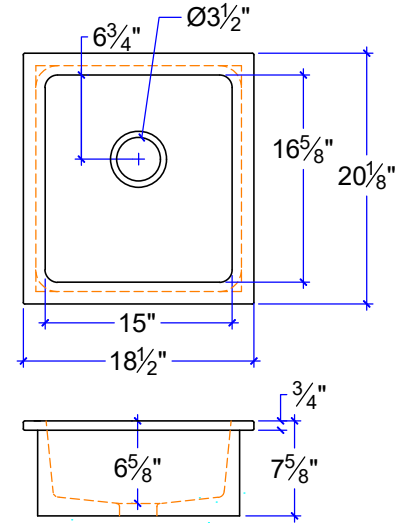
FS-1613



FS-1614



FS-1516

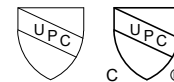


FS-1615-OD

SINKS FINISHED INSIDE BASIN AND RADUIS EDGE ONLY. SINKS SHOULD BE ON JOB BEFORE MAKING COUNTERTOP OPENINGS. MOUNTING HARDWARE NOT PROVIDED- SUPPORT WITH SUBTOP, FRAMING, OR UNDER SINK BOTTOM.



BAR PREP SINKS, UNDERMOUNT



IAPMO Certificate of Listing #4816

(877)283-2400
www.sonomastone.com
sales@sonomastone.com
All rights reserved