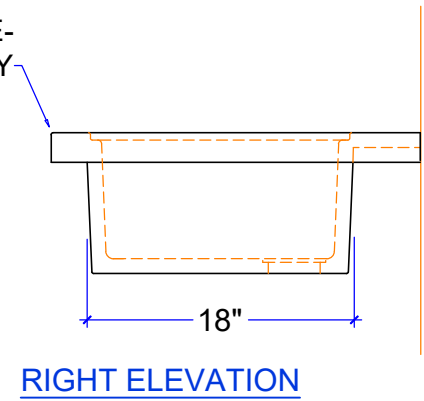
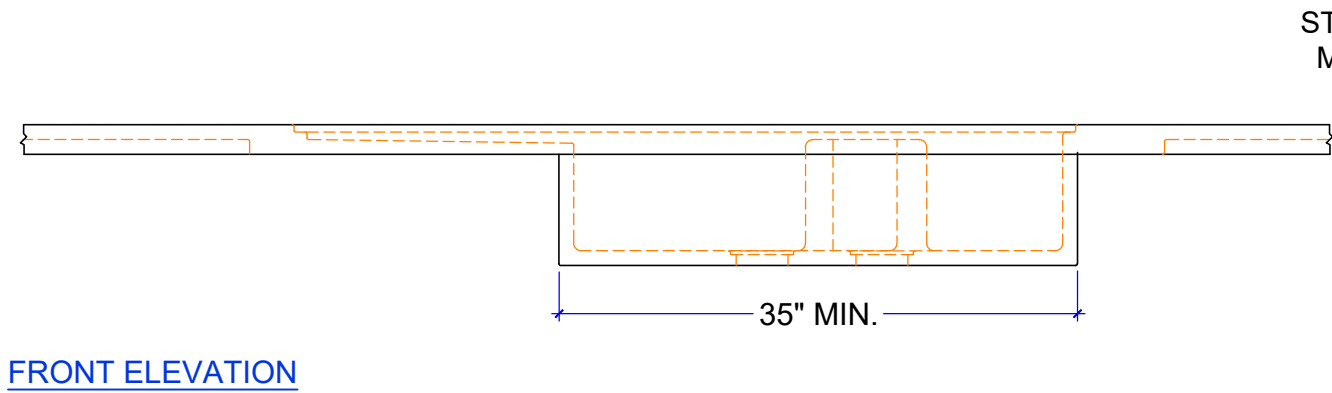
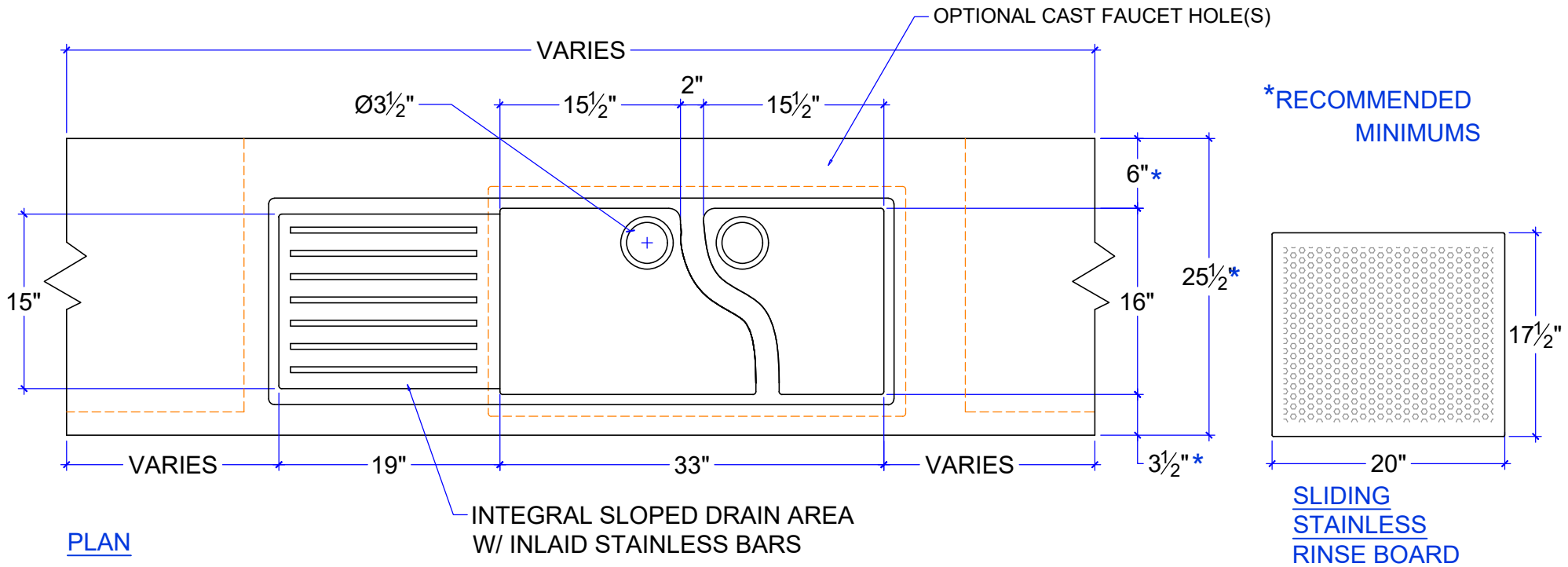


CHF-DBL-L



CHEFSINK, LEFT HAND  
CUSTOM SIZE COUNTERTOP WITH FIXED SIZE BASIN



IAPMO Certificate of Listing #4816



(877)283-2400  
www.sonomastone.com  
sales@sonomastone.com  
All rights reserved