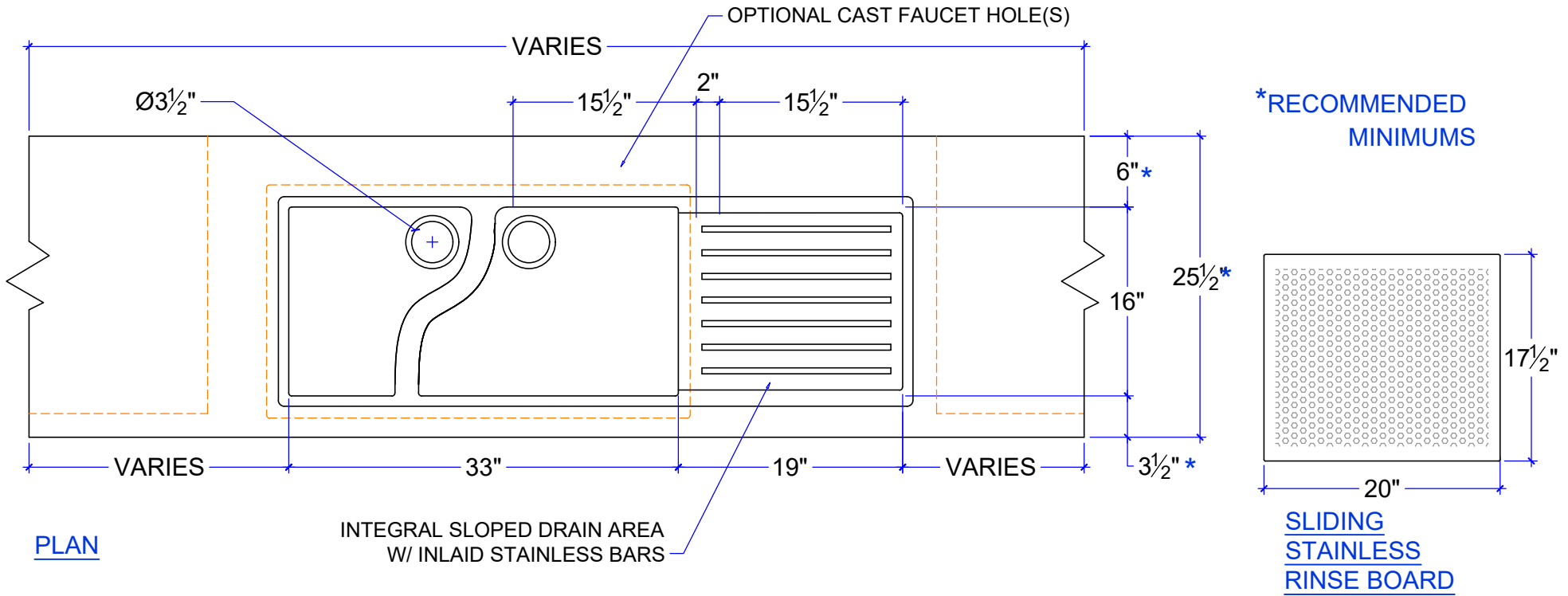
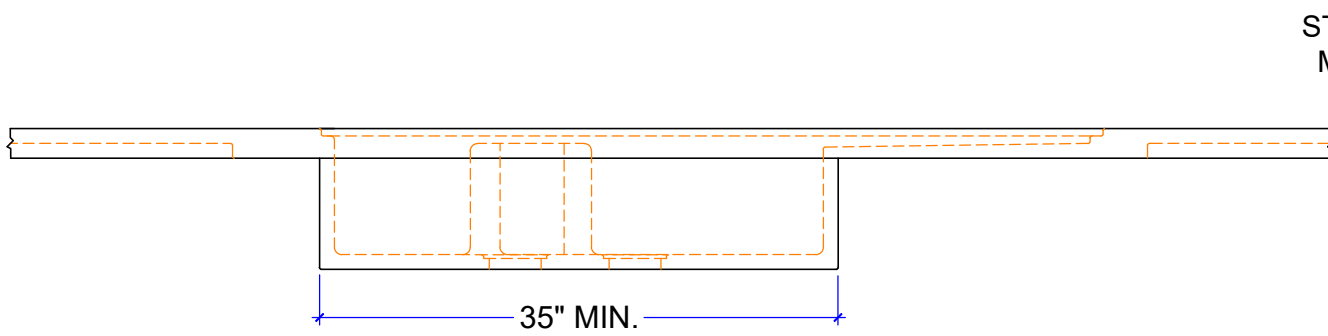
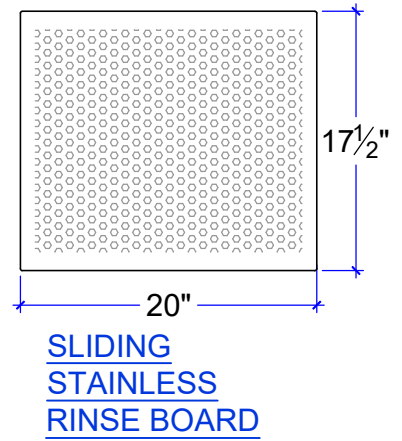


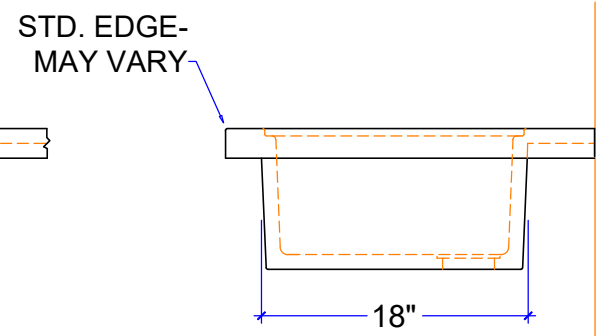
CHF-DBL-R



PLAN



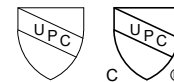
FRONT ELEVATION



RIGHT ELEVATION



CHEFSINK, RIGHT HAND
CUSTOM SIZE COUNTERTOP WITH FIXED SIZE BASIN



IAPMO Certificate of Listing #4816



(877)283-2400
www.sonomastone.com
sales@sonomastone.com
All rights reserved