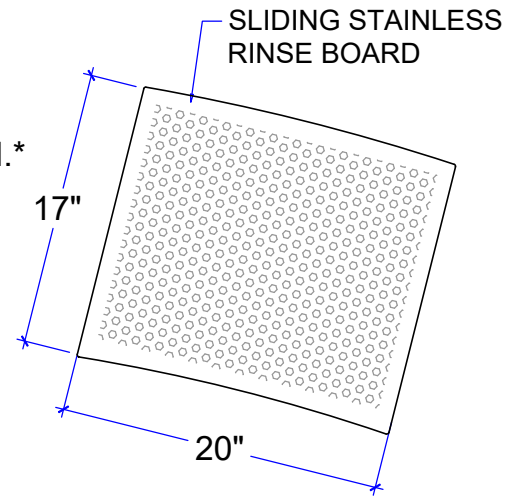
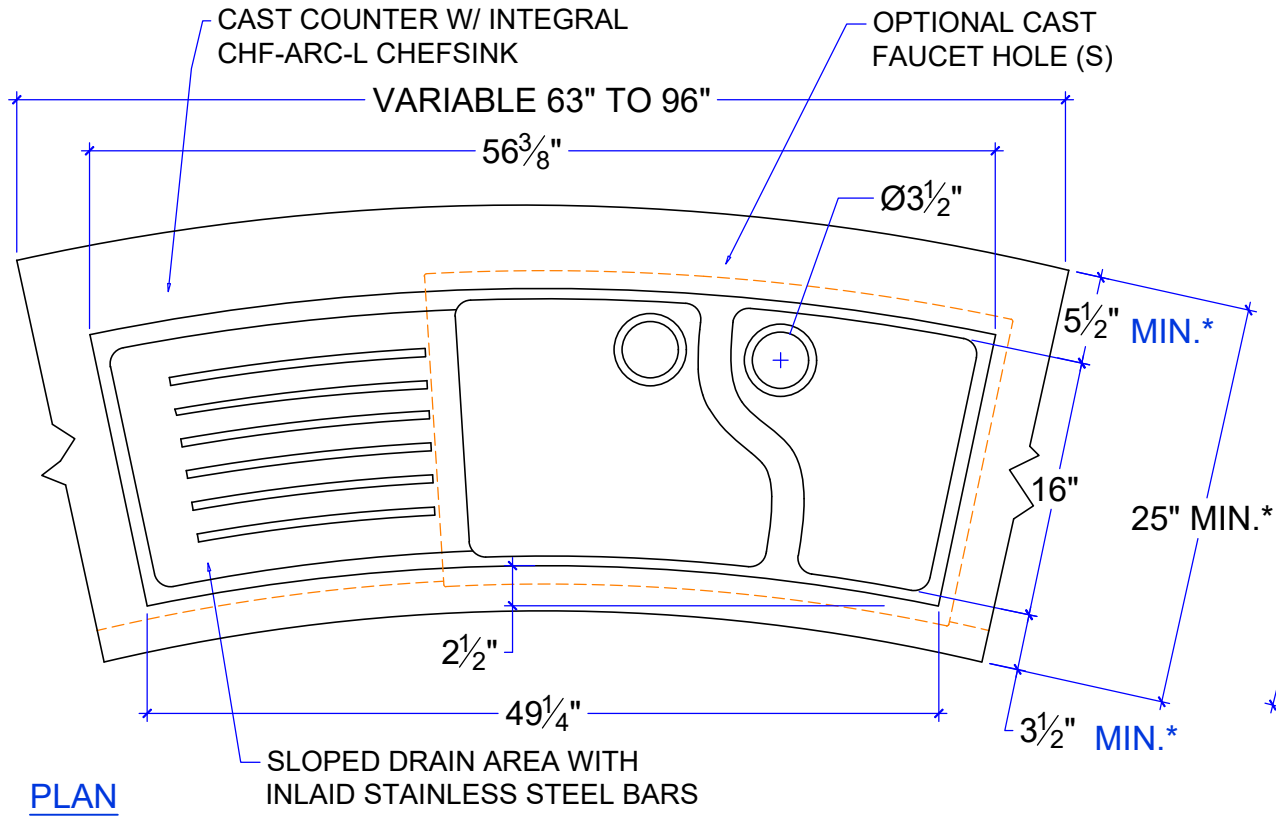
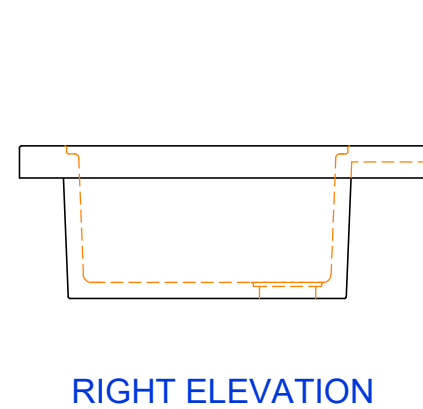
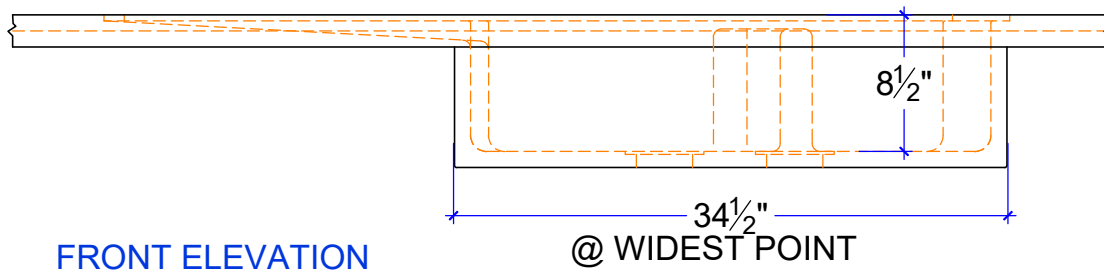


CHF-ARC-L



* TYPICAL MINIMUM DIMENSIONS, DEPENDING ON CABINET & FAUCET CONFIGURATION



CURVED CHEFSINK, LEFT OR RIGHT HAND
 CUSTOM SIZE COUNTERTOP WITH FIXED SIZE BASIN
 DIMENSIONS ARE INSIDE SINK



IAPMO Certificate of Listing #4816

(877)283-2400
 www.sonomastone.com
 sales@sonomastone.com
 All rights reserved