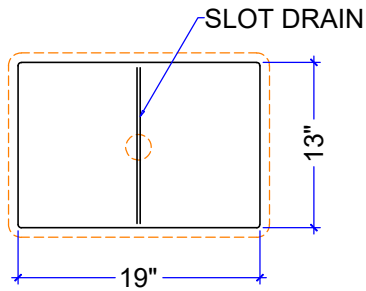
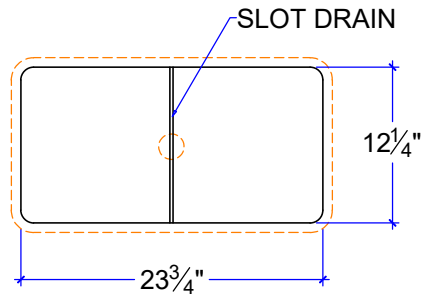


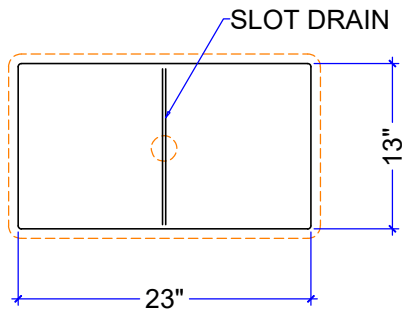
COUNTERSINKS WITH SLOT DRAINS



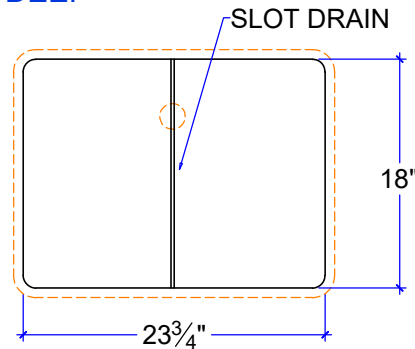
CS-1913-C-SD*
6 1/2" DEEP



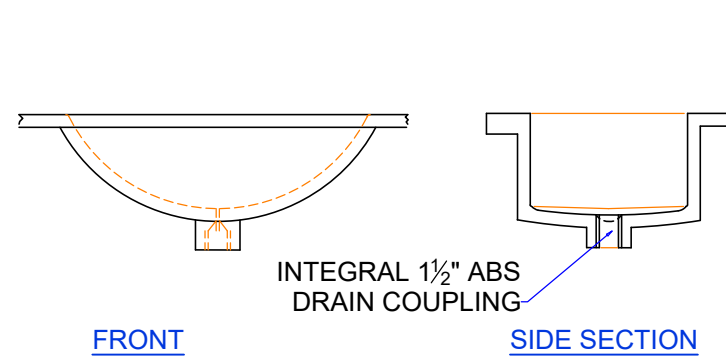
CS-2312-SD
7 1/2" DEEP



CS-2313-SD*
6 1/2" DEEP

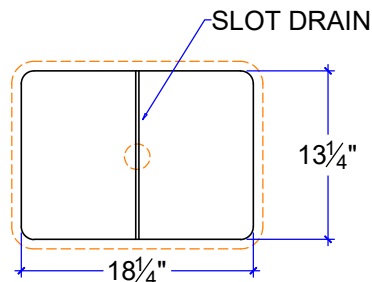


CS-2418-SD
7 1/2" DEEP

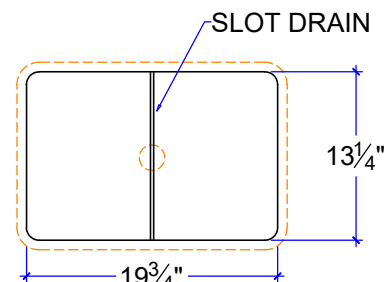


FRONT

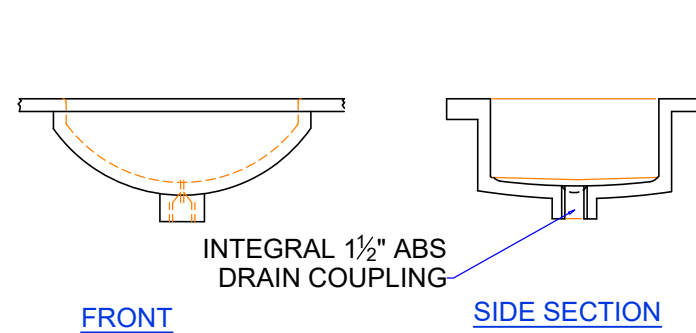
SIDE SECTION



CS-1813-SD
6 3/8" DEEP



CS-1913-SD
7" DEEP



FRONT

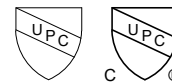
SIDE SECTION

Note: Overflows are available by special order

NOTE: ALL BASINS MAY ALSO BE PRODUCED AS UNDERMOUNTS IN SEPARATE COUNTER, OR AS COUNTERTOP VESSELS



INTEGRAL COUNTERSINKS WITH SLOT DRAINS
CUSTOM SIZE COUNTERTOP WITH FIXED SIZE BASIN
DIMENSIONS ARE INSIDE SINK



IAPMO Certificate of Listing #4816



(877)283-2400
www.sonomastone.com
sales@sonomastone.com
All rights reserved