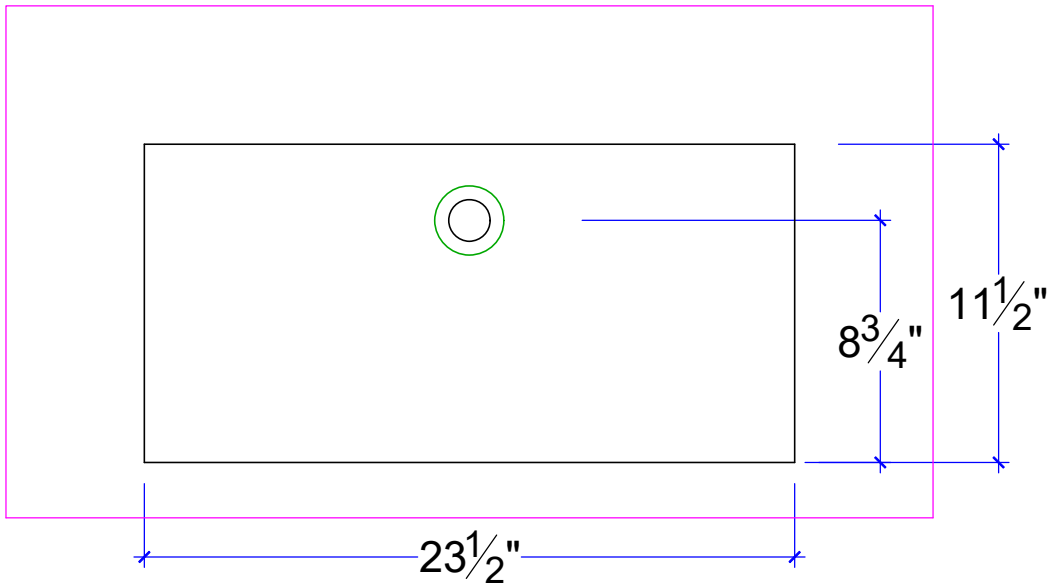
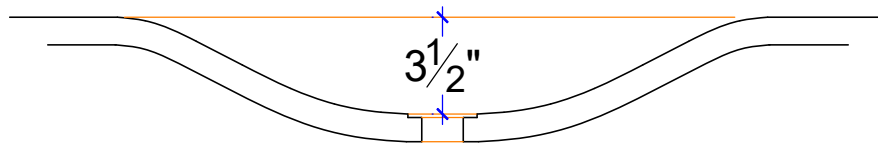
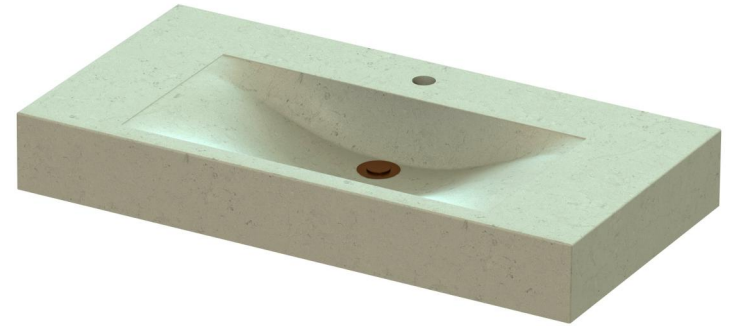


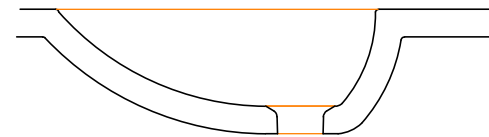
COUNTERWAVE



PLAN



FRONT SECTION

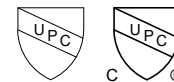


SIDE SECTION

Note: Overflow available by special order



CounterWave Bathroom Sink
CUSTOM SIZE COUNTERTOP WITH FIXED SIZE BASIN
DIMENSIONS ARE INSIDE SINK



IAPMO Certificate of Listing #4816

(877)283-2400
www.sonomastone.com
sales@sonomastone.com
All rights reserved