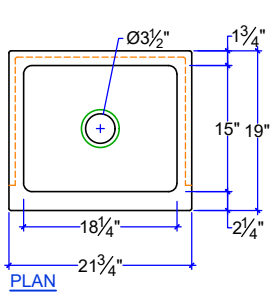
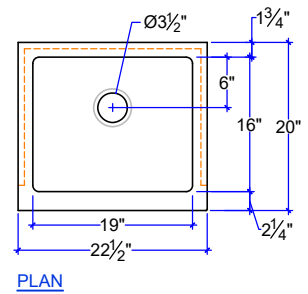


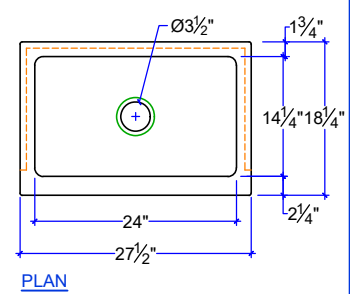
# FARMSINKS, SINGLE, PAGE 1



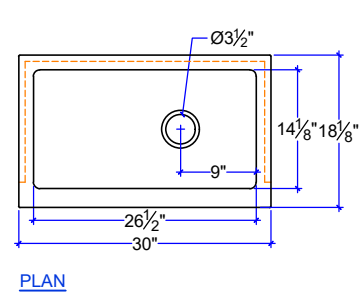
**FS-1518**  
2 MOLDS



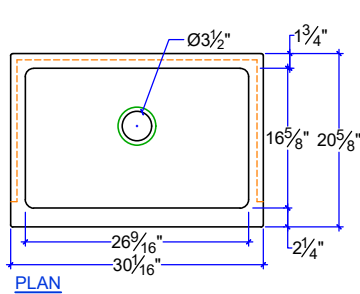
**FS-1619**



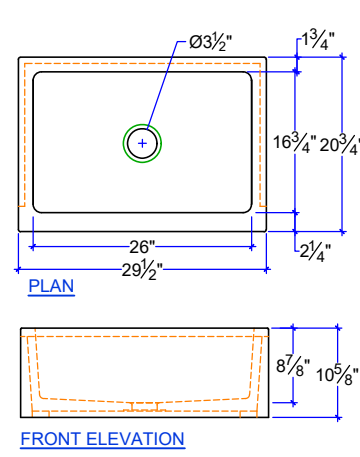
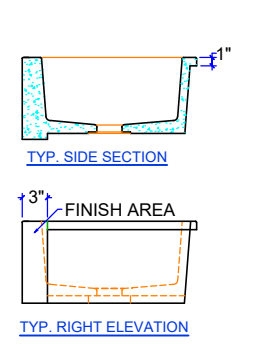
**FS-1424**



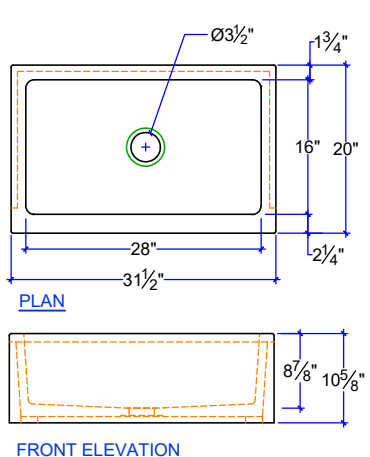
**FS-1427- LEFT OR RIGHT**



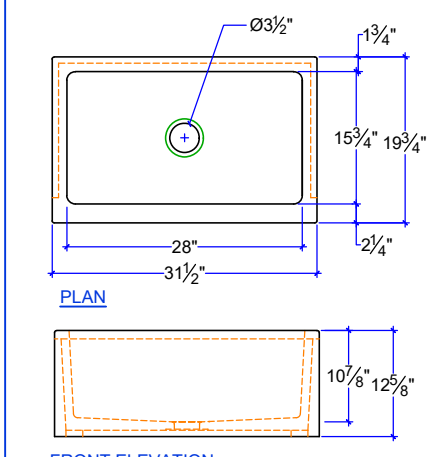
**FS-1626**



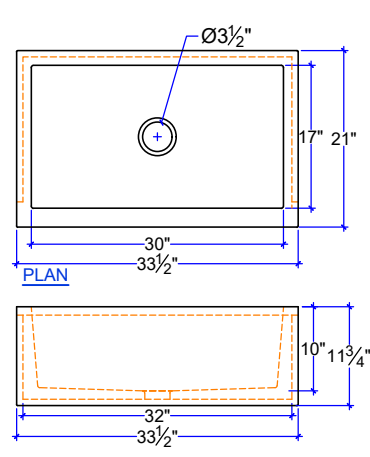
**FS-1726**



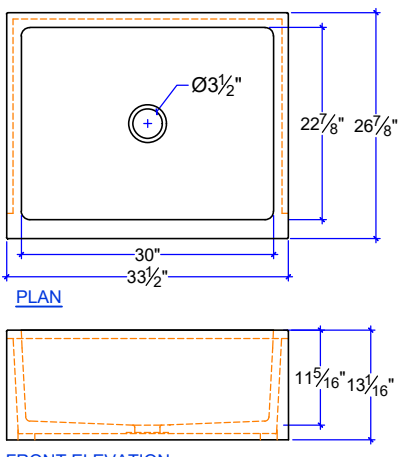
**FS-1628-8**



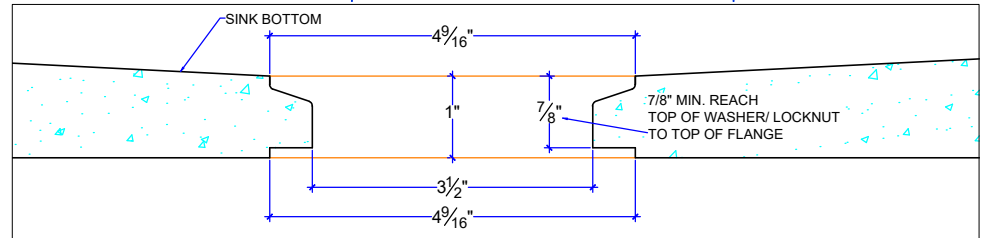
**FS-1628-10**



**FS-1730-10**



**FS-2330**

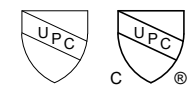


**KITCHEN SINK SECTION AT DRAIN**  
Please make sure your basket strainer or disposal flange has sufficient reach for this sink thickness.

OVERALL EXTERIOR DIMENSIONS MAY BE INCREASED ON REQUEST



SINGLE BASIN FARMSINKS  
Page 1



(877)283-2400  
www.sonomastone.com  
sales@sonomastone.com  
All rights reserved

IAPMO Certificate of Listing #4816