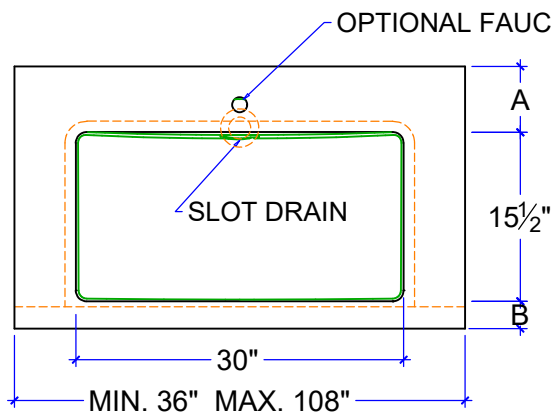
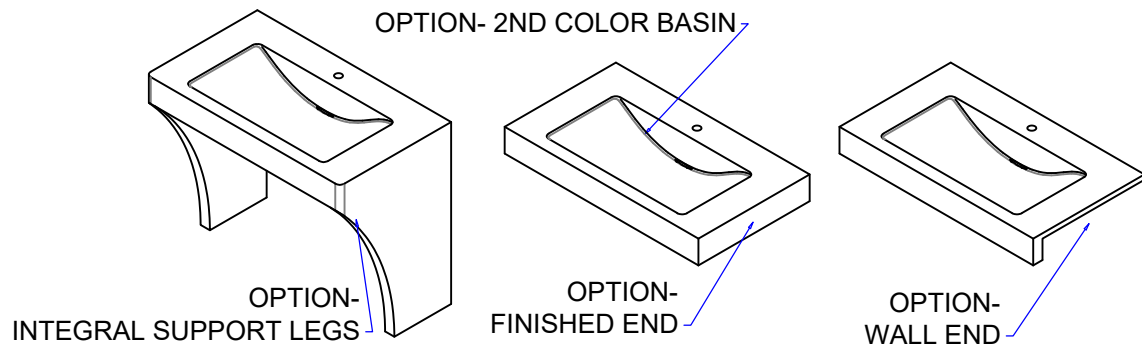
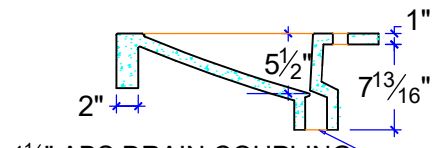


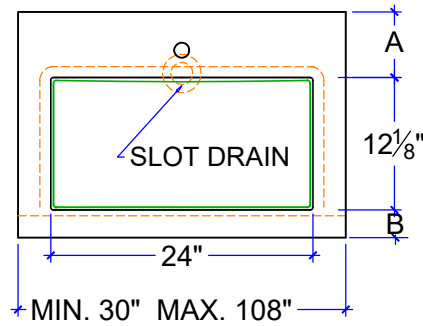
RAVESINKS, SINGLE



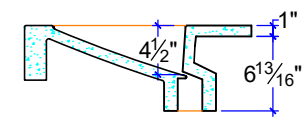
PLAN- Rave30



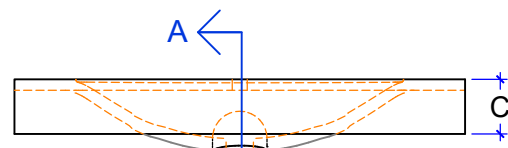
SECTION A
1 1/2" ABS DRAIN COUPLING



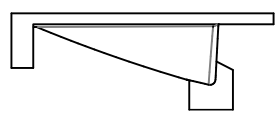
PLAN- Rave24



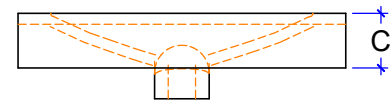
SECTION A



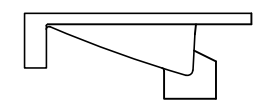
FRONT ELEVATION



RIGHT ELEVATION



FRONT ELEVATION



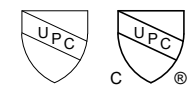
RIGHT ELEVATION

- A: 5" MIN. W. DECK-MOUNT FAUCET
3" MIN. W/ WALL-MOUNT FAUCET
- B: 1" MIN.; 2"-3" TYPICAL
- C: 5" TYPICAL COMMERCIAL APRON; 2" MIN.

Note: Overflows are available by special order



Single RaveSinks
CUSTOM SIZE COUNTERTOP WITH FIXED SIZE BASIN
DIMENSIONS ARE INSIDE SINK



IAPMO Certificate of Listing #4816

(877)283-2400
www.sonomastone.com
sales@sonomastone.com
All rights reserved