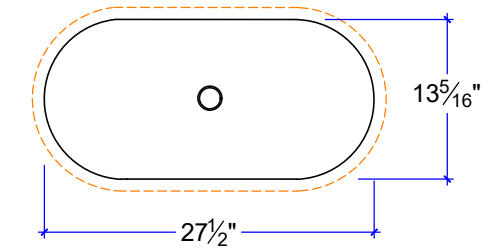
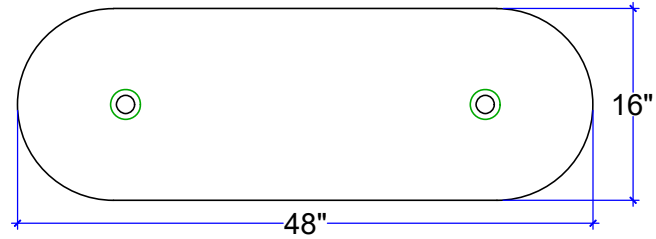
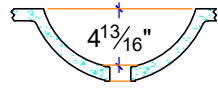


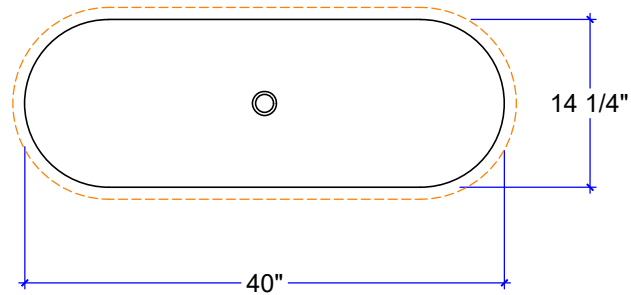
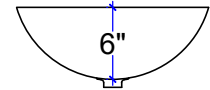
SoftTrough



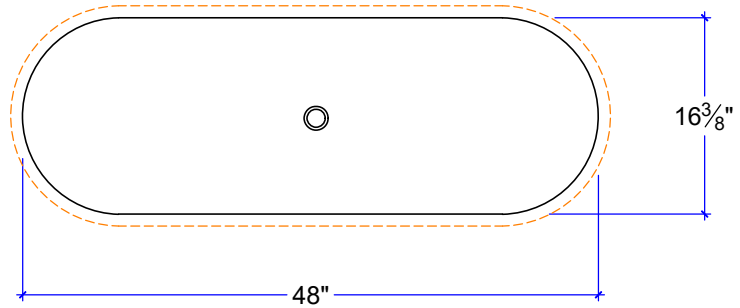
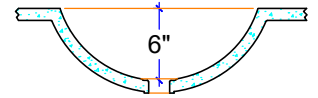
TS-1327 (1 FAUCET) 3 molds



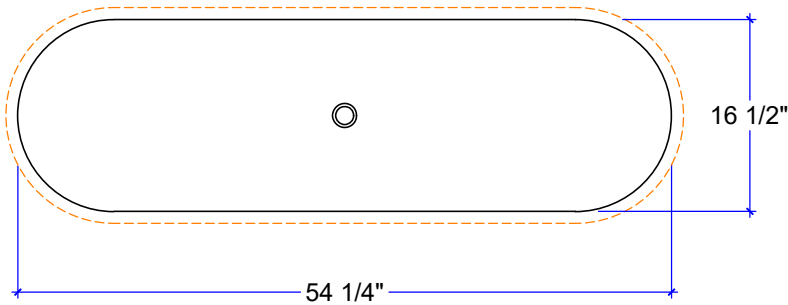
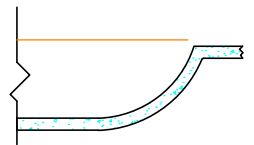
TS-1648-2D (1 OR 2 FAUCETS)



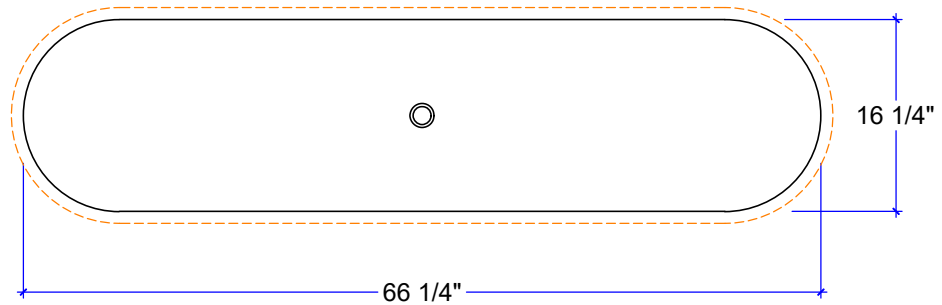
TS-1440 (1 OR 2 FAUCETS) 2 molds



TS-1648 (1 OR 2 FAUCETS) 2 molds



TS-1654 (1 OR 2 FAUCETS) 2 molds

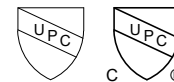


TS-1666 (1 - 3 FAUCETS) 1 mold

Note: Overflows are available by special order



SoftTrough Basins  
CUSTOM SIZE COUNTERTOP WITH FIXED SIZE BASIN  
DIMENSIONS ARE INSIDE SINK



IAPMO Certificate of Listing #4816



(877)283-2400  
www.sonomastone.com  
sales@sonomastone.com  
All rights reserved