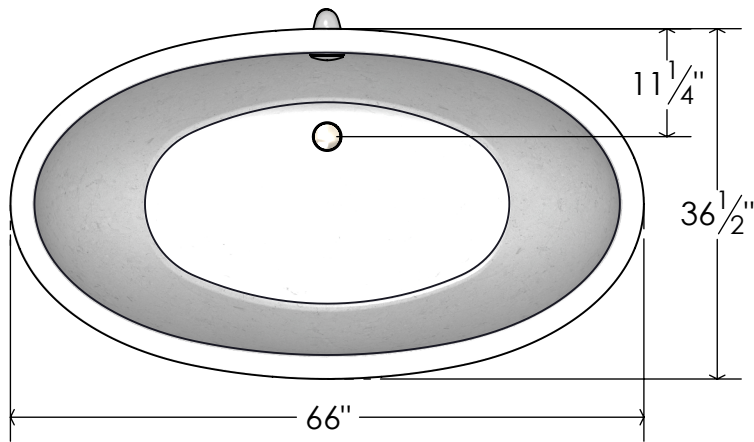
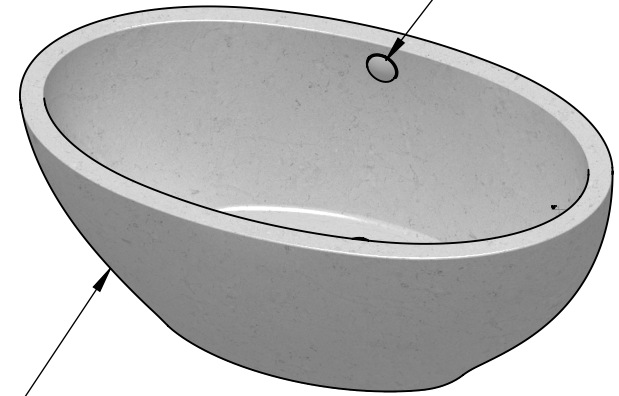


# OVAL-TUB (TRANQUILITY)

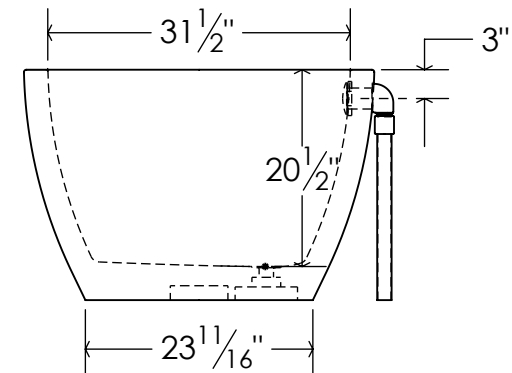
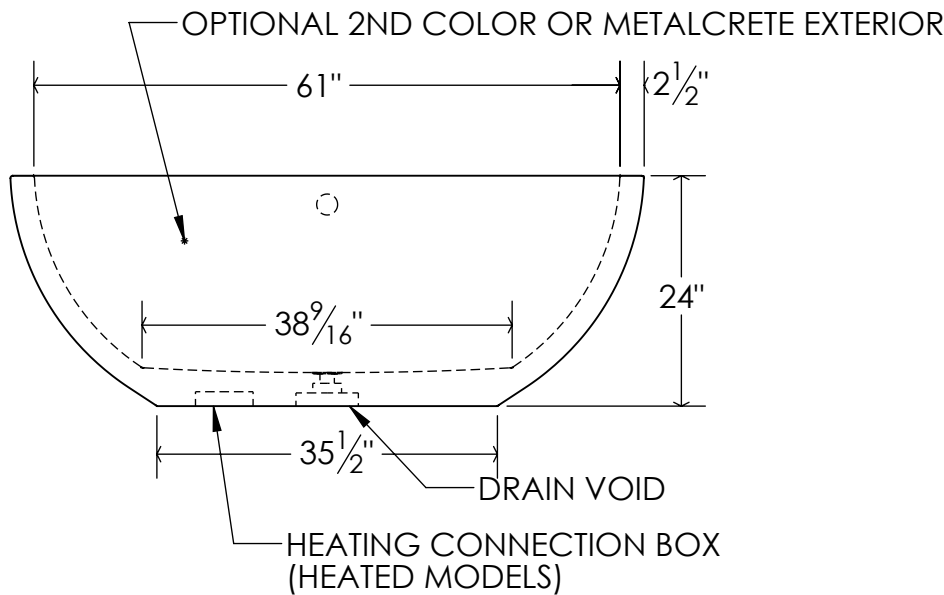


WEIGHT: 869LB EMPTY; 1,501LB FULL  
CAPACITY: 79 GAL. TO OVERFLOW

1. OPTIONAL OVERFLOW HOLE ONLY
2. OPTIONAL DRAIN/ OVERLFLOW HARDWARE



HANDFINISHED  
NATURAL EXTERIOR  
-OPTIONAL METALCRETE FINISH-



**SONOMA**  
CAST STONE

TRANQUILITY TUB  
STANDARD EXTERIOR



IAPMO Certificate of Listing #4816

(877)283-2400  
www.sonomastone.com  
sales@sonomastone.com  
All rights reserved.