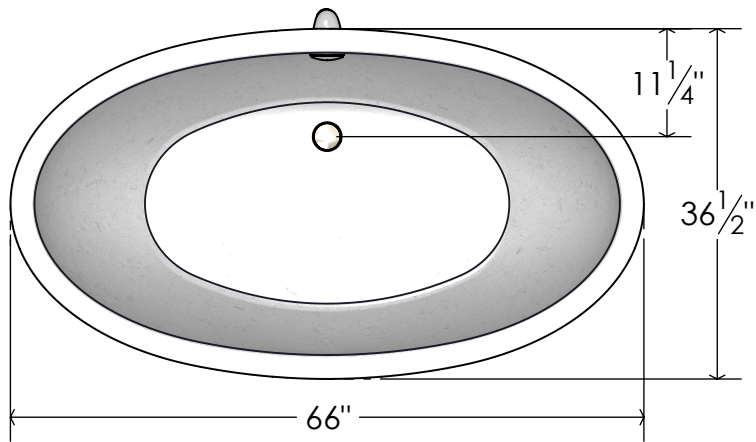
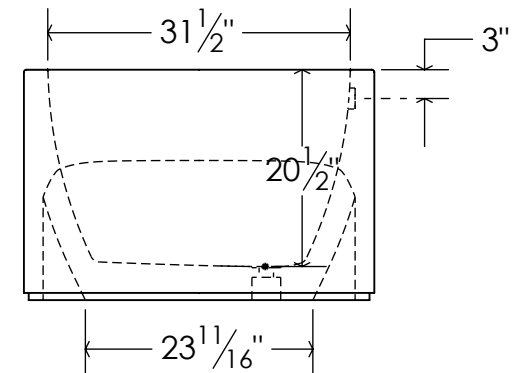
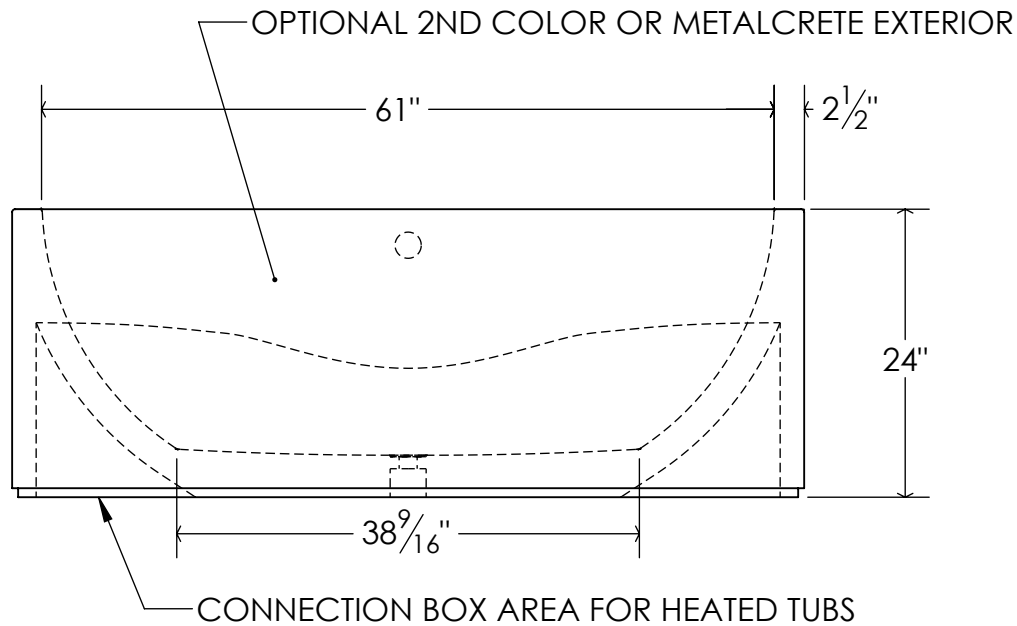
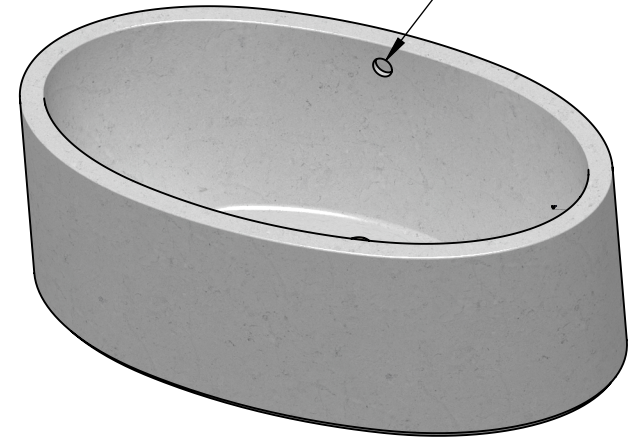


OVAL-UR-TUB (TRANQUILITY)



WEIGHT: 869LB EMPTY; 1,501LB FULL
CAPACITY: 79 GAL. TO OVERFLOW

1. OPTIONAL OVERFLOW HOLE ONLY
2. OPTIONAL DRAIN/ OVERLFLOW HARDWARE



SONOMA
CAST STONE

TRANQUILITY TUB
URBAN EXTERIOR



IAPMO Certificate of Listing #4816

(877)283-2400
www.sonomastone.com
sales@sonomastone.com
All rights reserved.