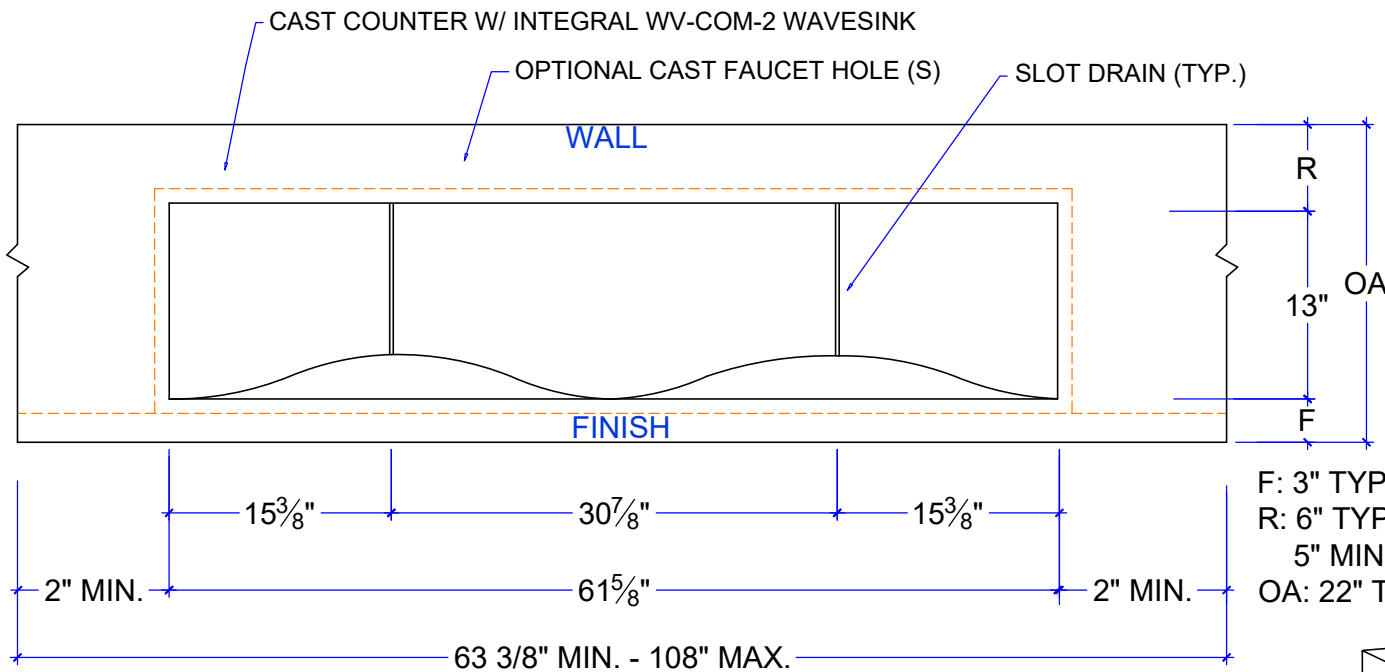
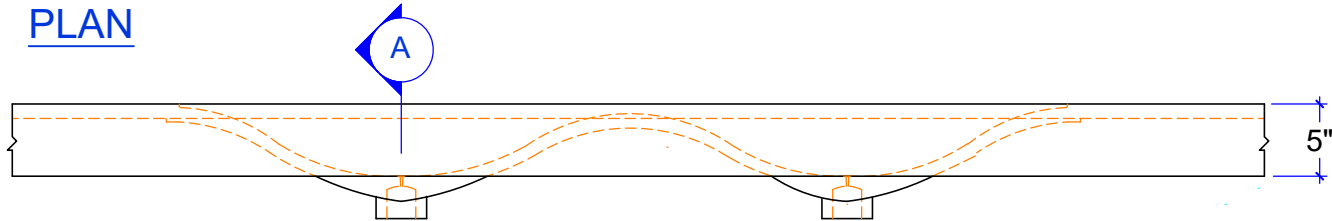


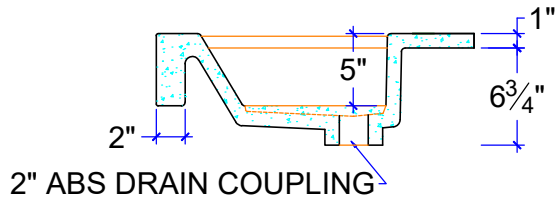
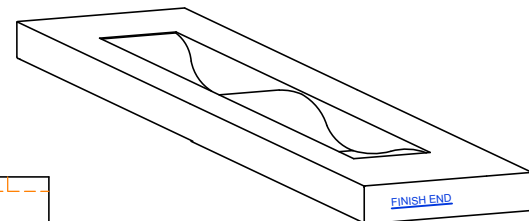
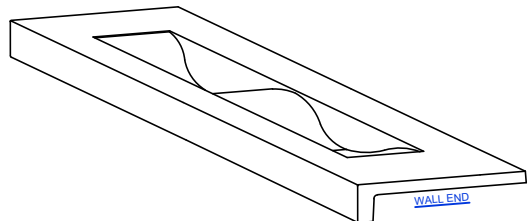
WV-COM-2



PLAN



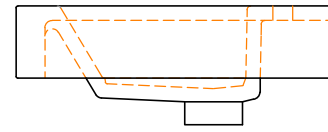
FRONT ELEVATION



SECTION A



WALL END & @ SUPPORTS



FINISH END



COMMERCIAL DOUBLE WAVESINK
 CUSTOM SIZE COUNTERTOP WITH FIXED SIZE BASIN
 DIMENSIONS ARE INSIDE SINK



IAPMO Certificate of Listing #4816

(877)283-2400
 www.sonomastone.com
 sales@sonomastone.com
 All rights reserved