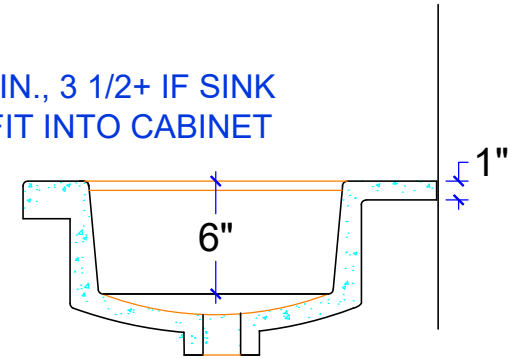
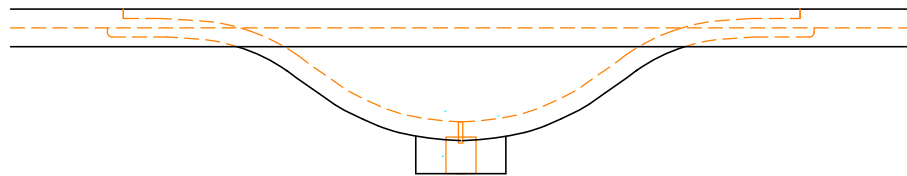


B: 5 1/2" MIN. FOR DECK-MOUNT FAUCET.
2" MIN. FOR WALL-MOUNT FAUCET.

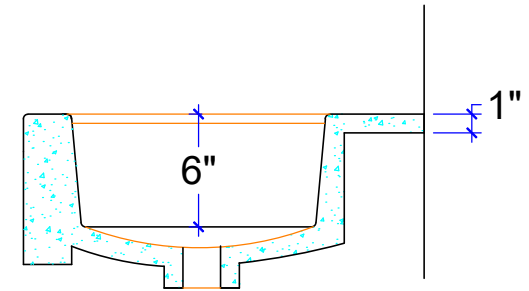
A: 2" MIN., 3 1/2+ IF SINK IS TO FIT INTO CABINET



SECTION WITH 2" EDGE



FRONT ELEVATION

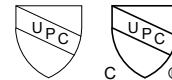


SECTION WITH 8" FRONT APRON

Note: Overflows are available by special order



WAVESINK, SINGLE RESIDENTIAL
CUSTOM SIZE COUNTERTOP WITH FIXED SIZE BASIN
DIMENSIONS ARE INSIDE SINK



IAPMO Certificate of Listing #4816



(877)283-2400
www.sonomastone.com
sales@sonomastone.com
All rights reserved