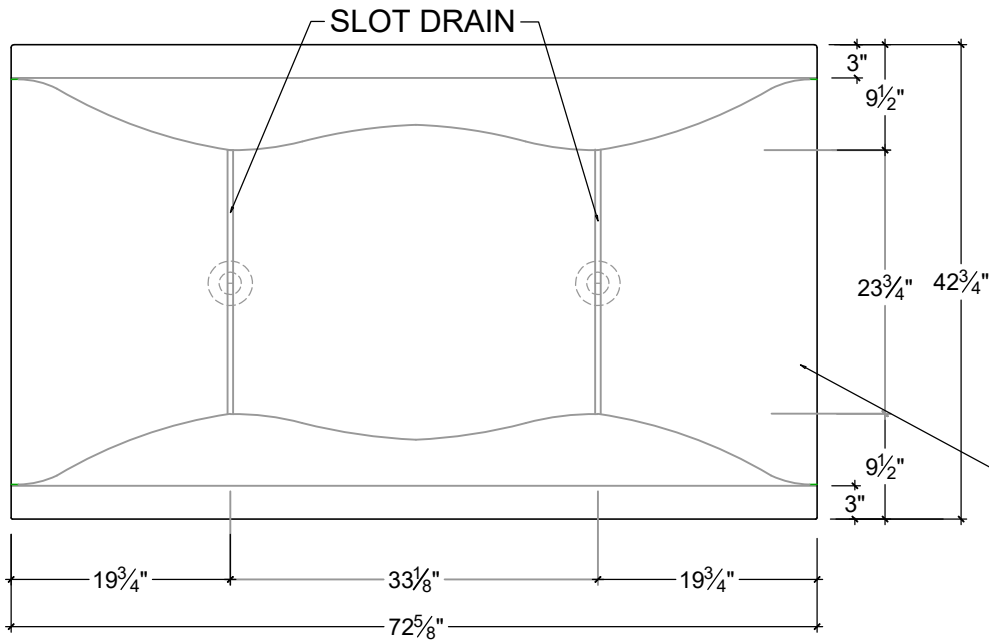


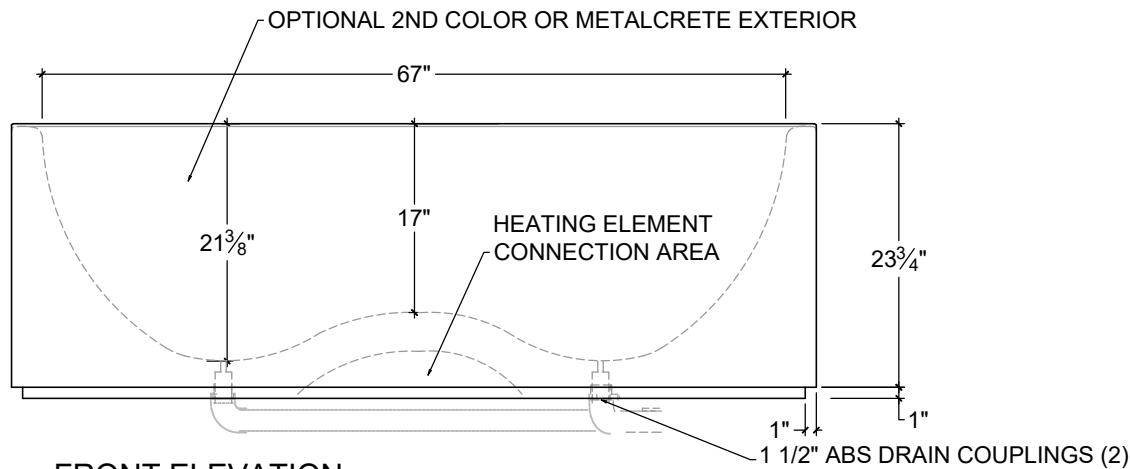
CAPACITY: 130 GALLONS
 APPROXIMATE DRY WEIGHT: 2,300LB
 FILLED WEIGHT: 3,340LB



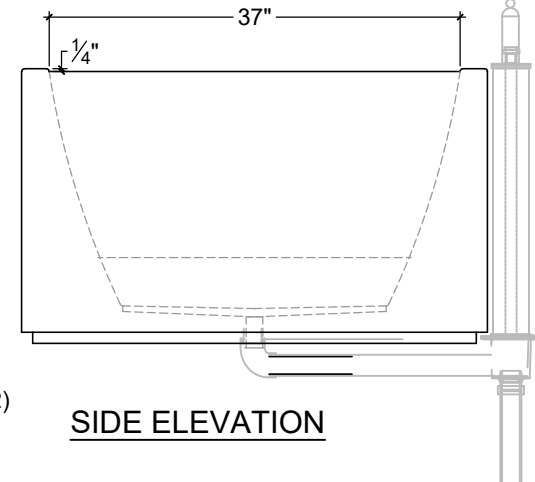
END OF WAVE RECESSED 1/4" BELOW SIDE RIM

PLAN

FAUCET & OVERFLOW/ DRAIN
 OPTIONAL (NOT INCLUDED)
 BY SONOMA FORGE
 WWW.SONOMAFORGE.COM



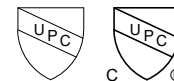
FRONT ELEVATION



SIDE ELEVATION



DOUBLE WAVETUB
 URBAN EXTERIOR



IAPMO Certificate of Listing #4816

(877)283-2400
 www.sonomastone.com
 sales@sonomastone.com
 All rights reserved