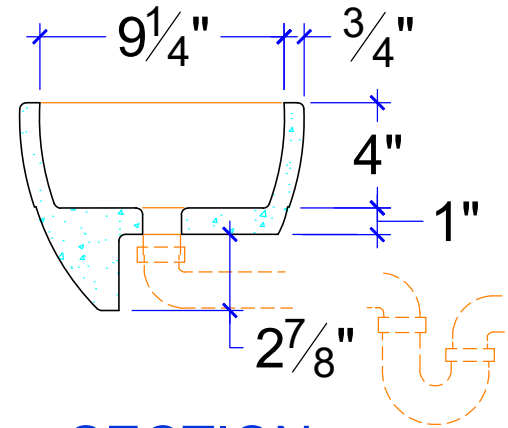
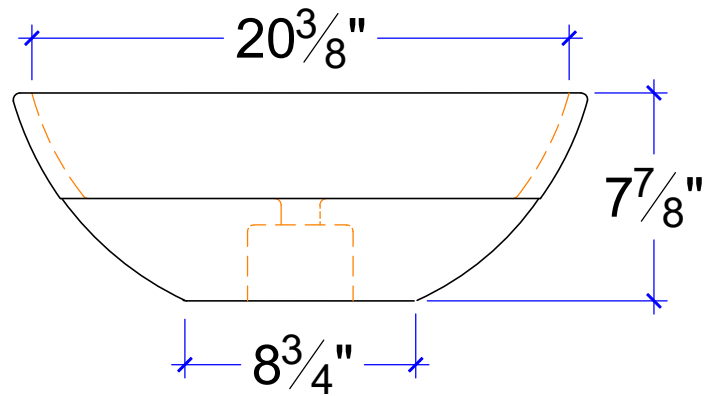


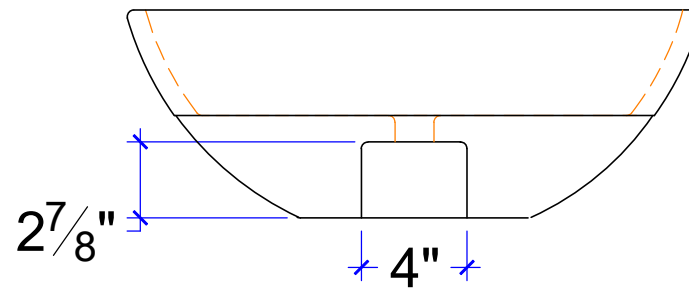
PLAN



SECTION



FRONT ELEVATION



REAR ELEVATION