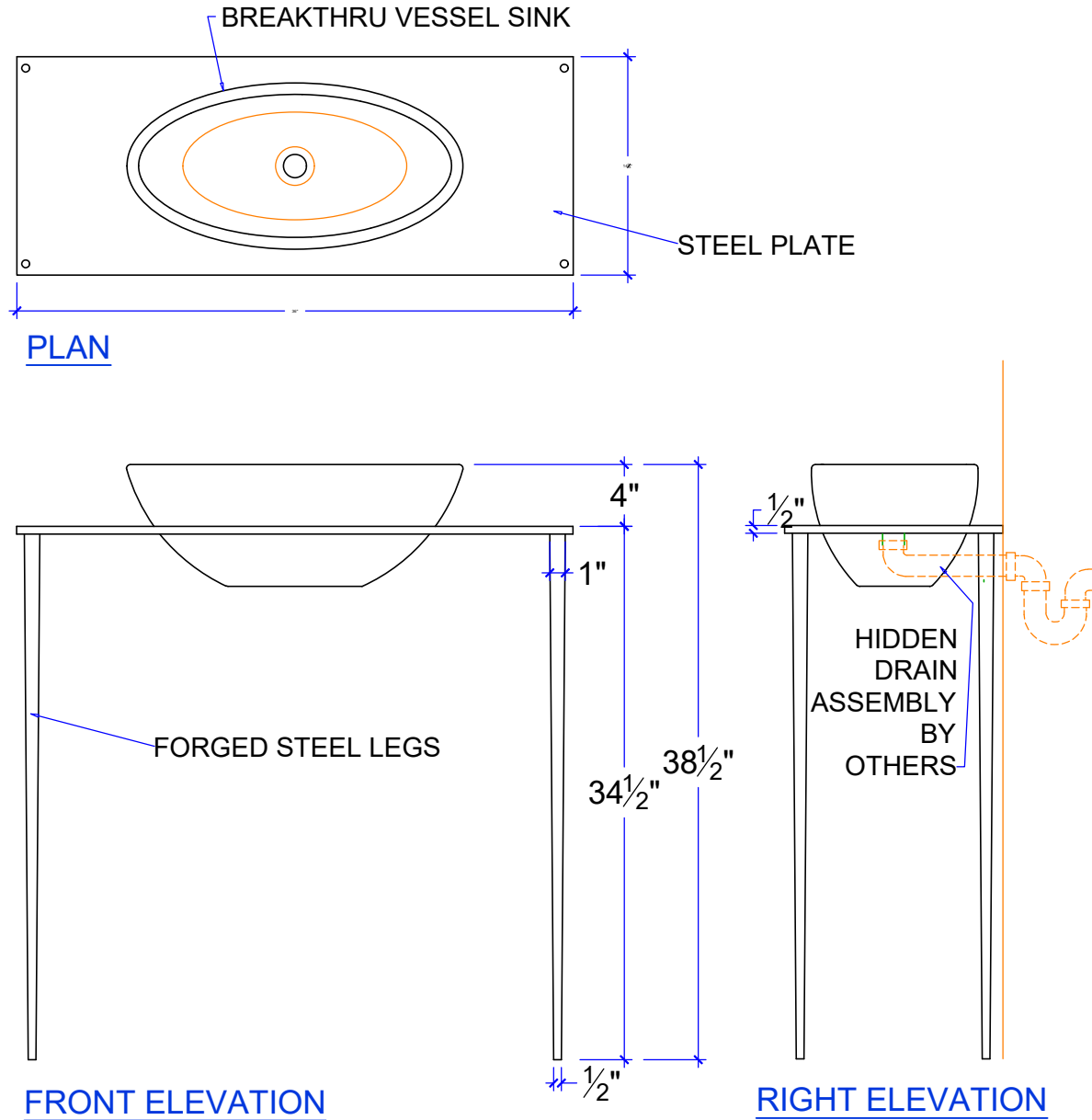
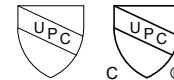


BRKTHRU + STND



BREAKTHRU VESSEL SINK WITH STAND



IAPMO Certificate of Listing #4816

(877)283-2400
www.sonomastone.com
sales@sonomastone.com
All rights reserved